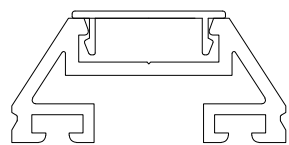
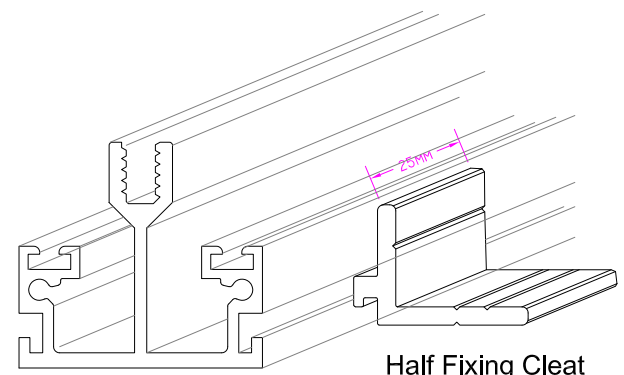


Square cap  
(Standard)



Sloping cap



Half Fixing Cleat

NOT TO SCALE



GLAZING SYSTEM  
HG2/ DG 28

DATE  
OCT 2016

PAGE No. 05

DRAWING REF  
CENTRE BAR ASSEMBLY

SCALE 1:1 @ A4

DRAWN  
GH







































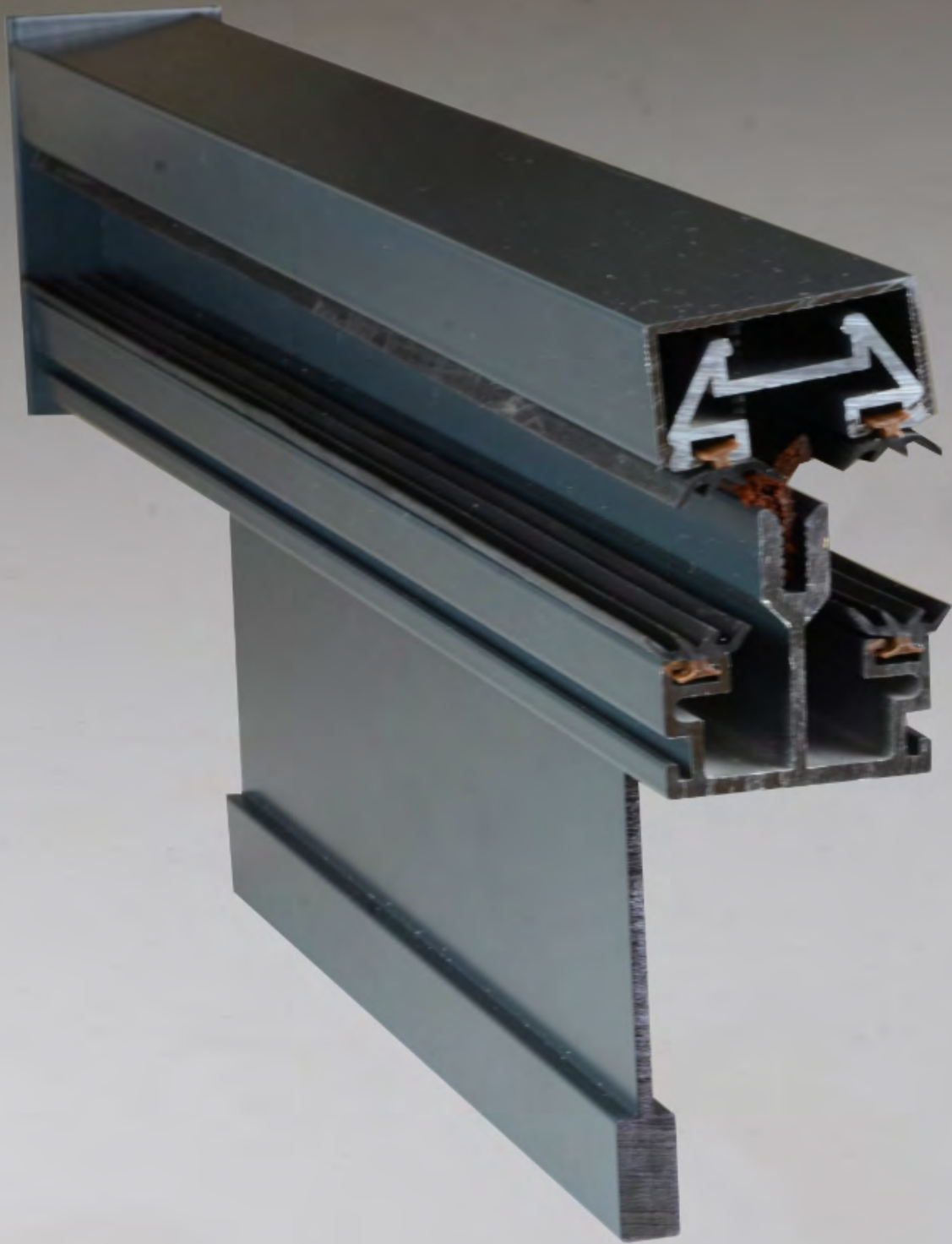














Section/ Page	
---------------	--

Scale Factor	1:1 @ A4
--------------	----------

HG2

Typical Detail

HPG Ltd

# Typical Detail

Stalk Notched out to miss out steel supports!

