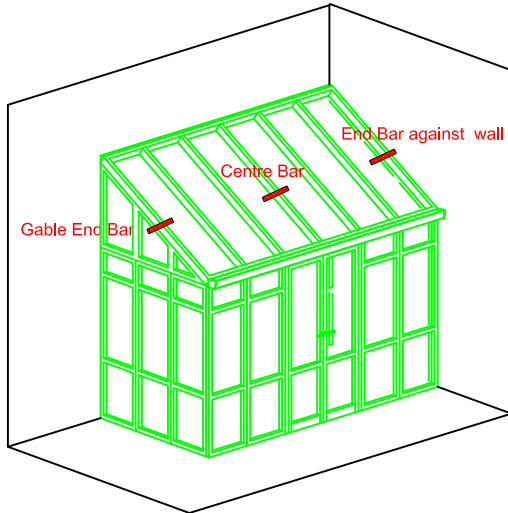
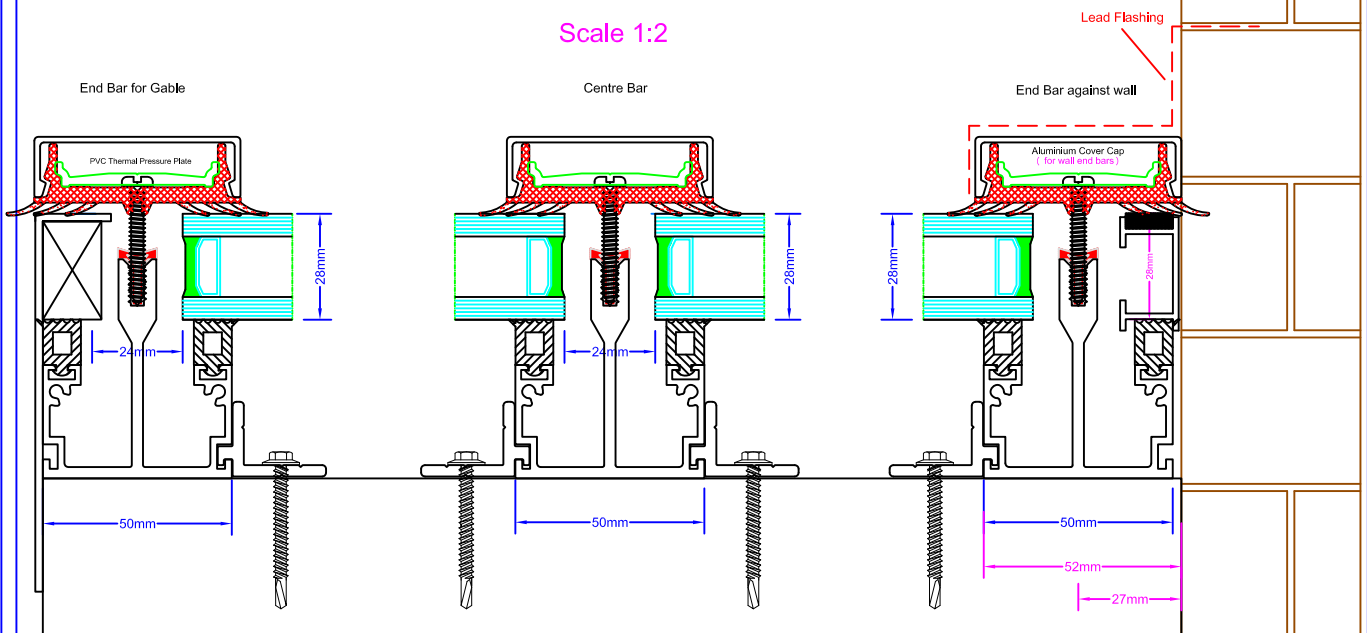


HG50 Light Duty - Overview

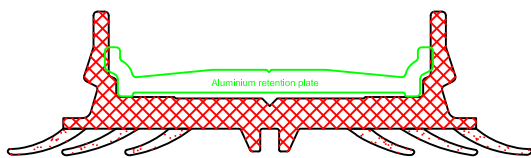
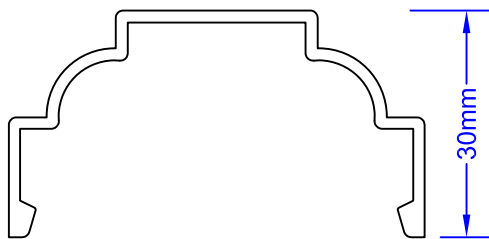
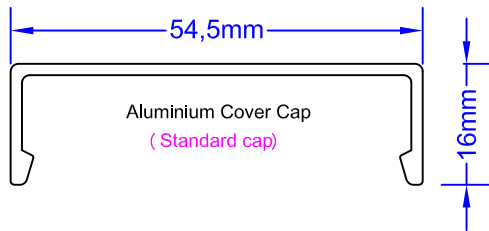


Scale 1:2

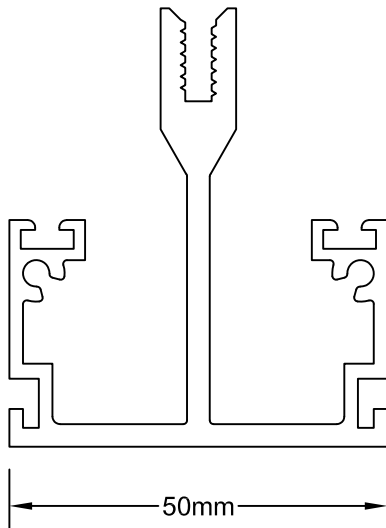


System	Howells Glazing Systems	System Reference	FILE REFERENCE
Description	---	August 2008	HG50 Light Duty
			LIGHT/005

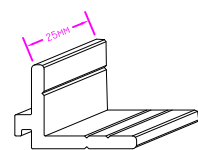
HG50 Light Duty Component List



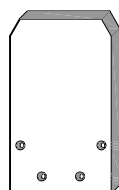
PVC Thermal Pressure Plate (with co extruded gasket)



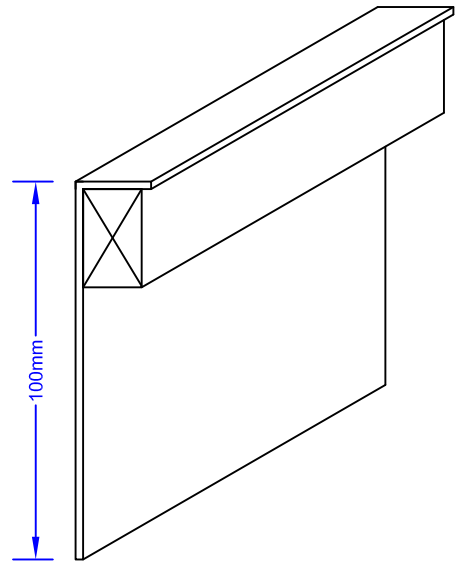
HG50 Light Duty Base



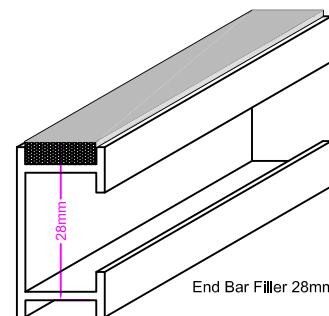
Half Fixing Cleat



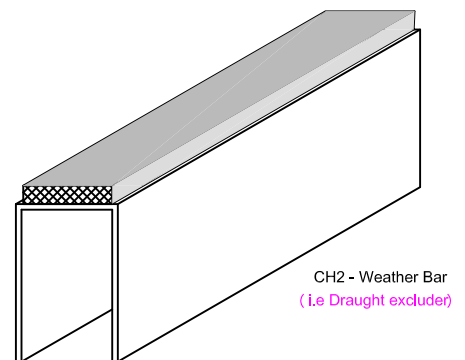
Glass Stop F
(for glazing material up to 28mm)



Side Flashing for 28mm Glazing



End Bar Filler 28mm Glazing



CH2 - Weather Bar
(i.e Draught excluder)



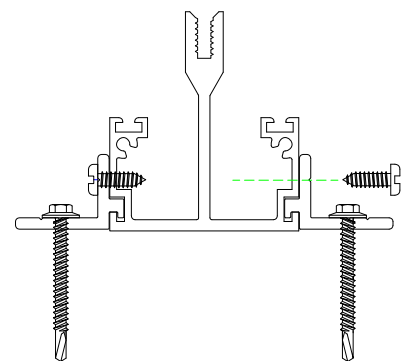
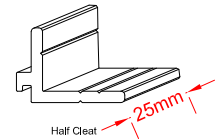
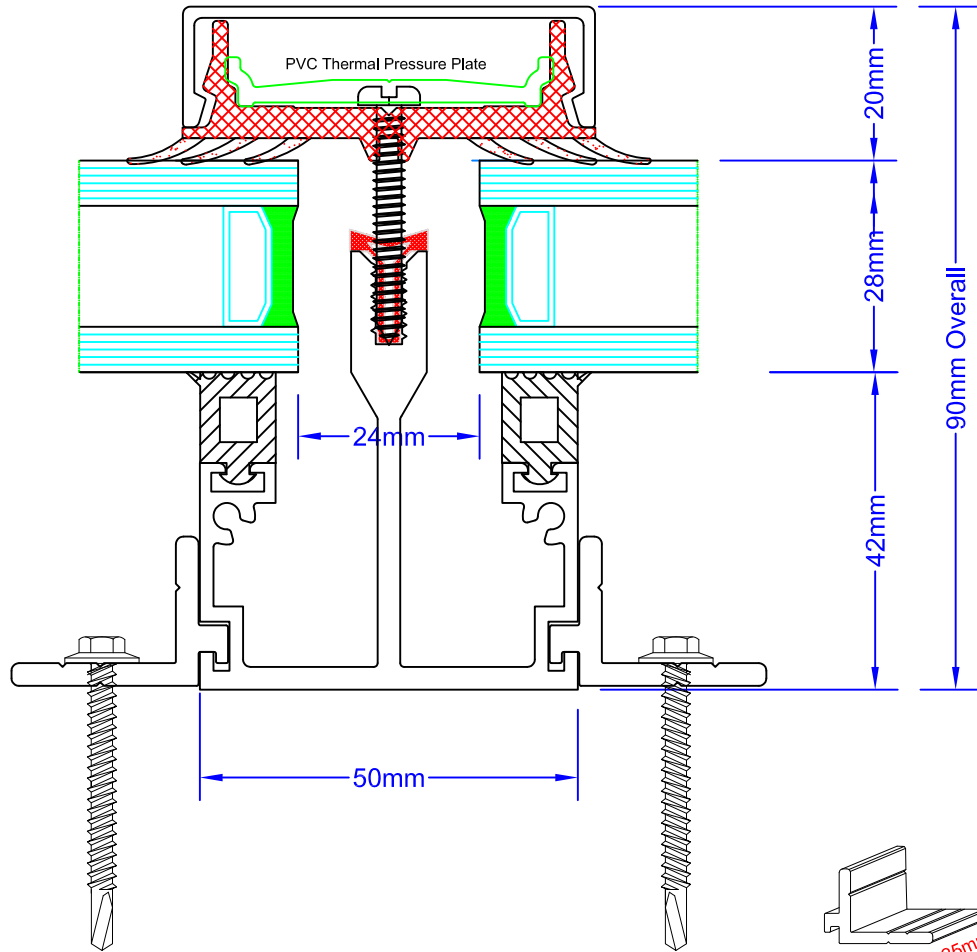
Thermal Isolator



G2 EPDM - Box Gasket

System	Howells Glazing Systems	System Reference	FILE REFERENCE
Description	Centre Bar Detail	August 2008	HG50 Light Duty
			LIGHT/001

HG50 Light Duty - Centre Bar

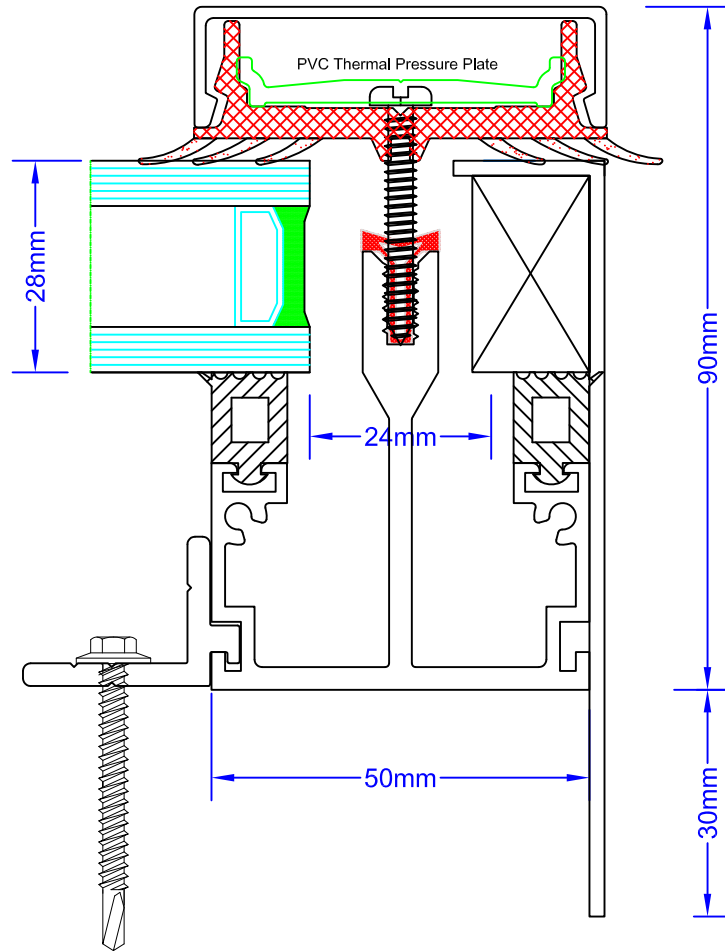


Top Fixing Cleats are positively fixed to suit your wall plate
Bottom Fixing Cleats are can sliding

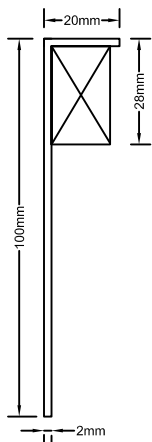


System	Howells Glazing Systems	System Reference	FILE REFERENCE
Description	Centre Bar Detail	August 2008	HG50 Light Duty
			LIGHT/002

HG50 Light Duty - Side Flashing 28mm

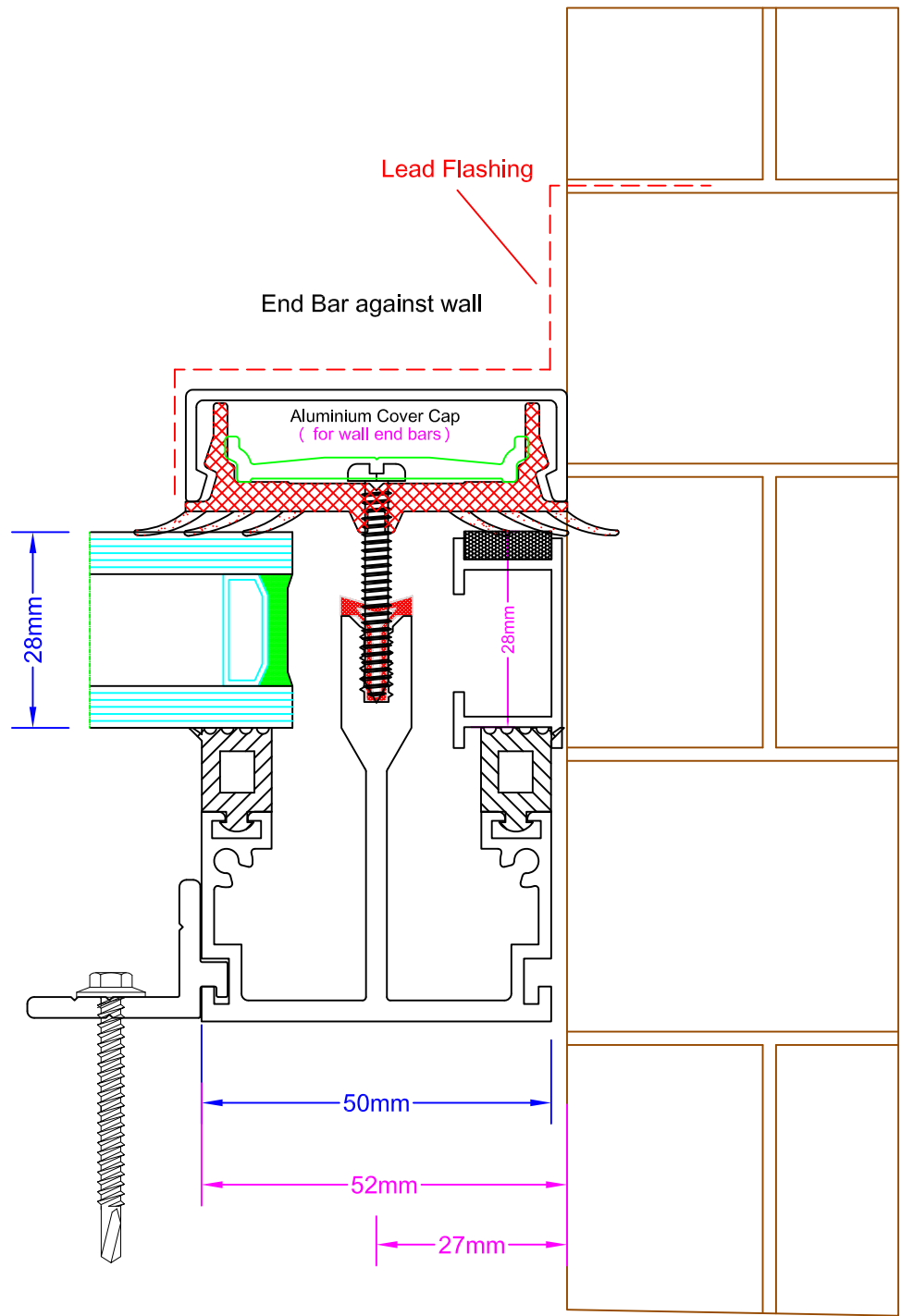


Side Flashing



System	Howells Glazing Systems	System Reference	FILE REFERENCE
Description	End Bar Detail	August 2008	LIGHT/004
		HG50 Light Duty	

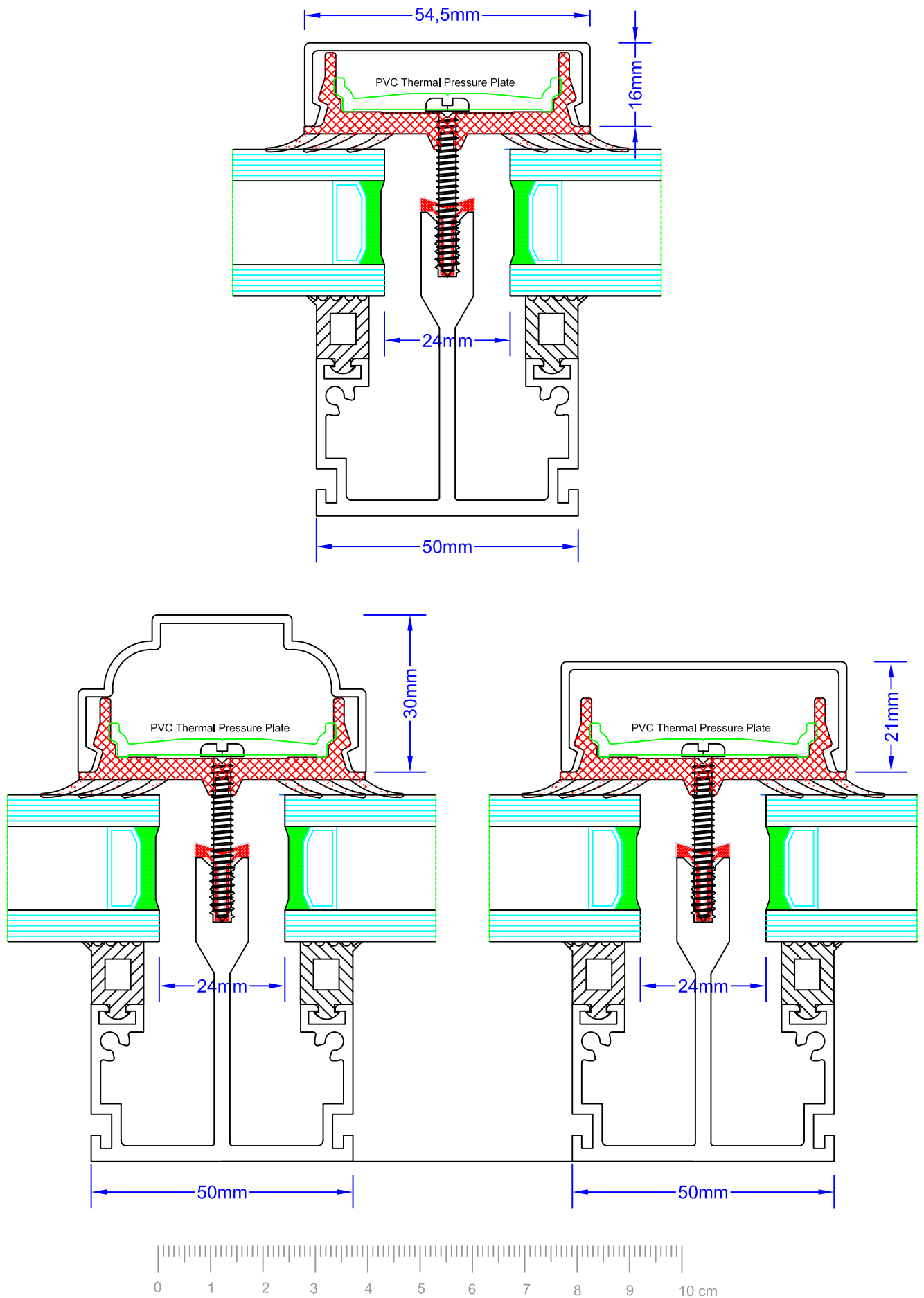
HG50 Light Duty - End Bar Filler 28mm



© All details are the copyright of Howells Glazing Systems Ltd

System	Howells Glazing Systems	System Reference	FILE REFERENCE
Description	End Bar Detail	August 2008	LIGHT/003
		HG50 Light Duty	

HG50 Light Duty - Alternative Outer Cappings

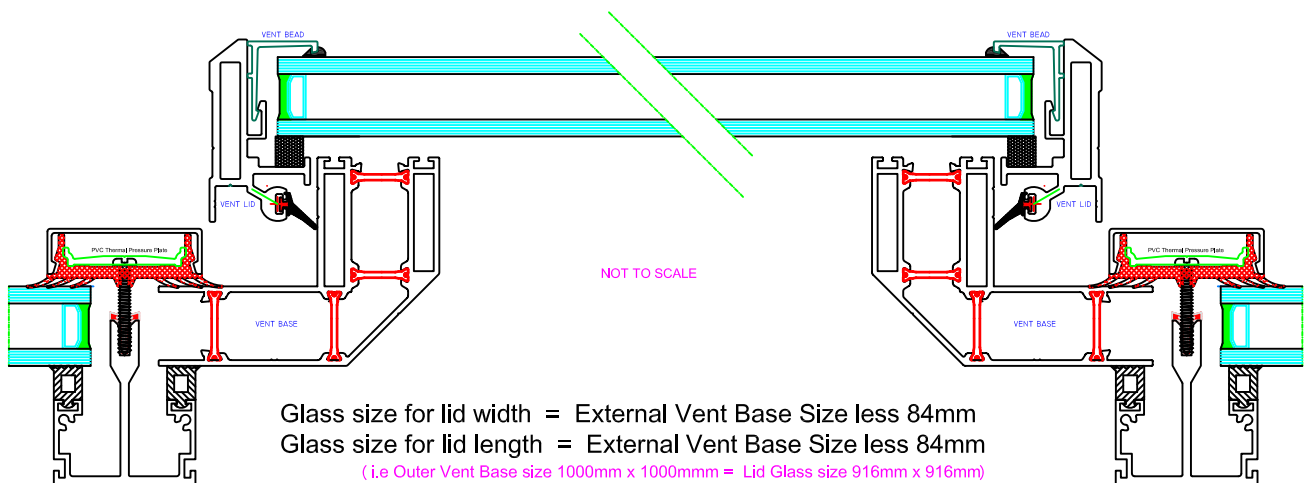
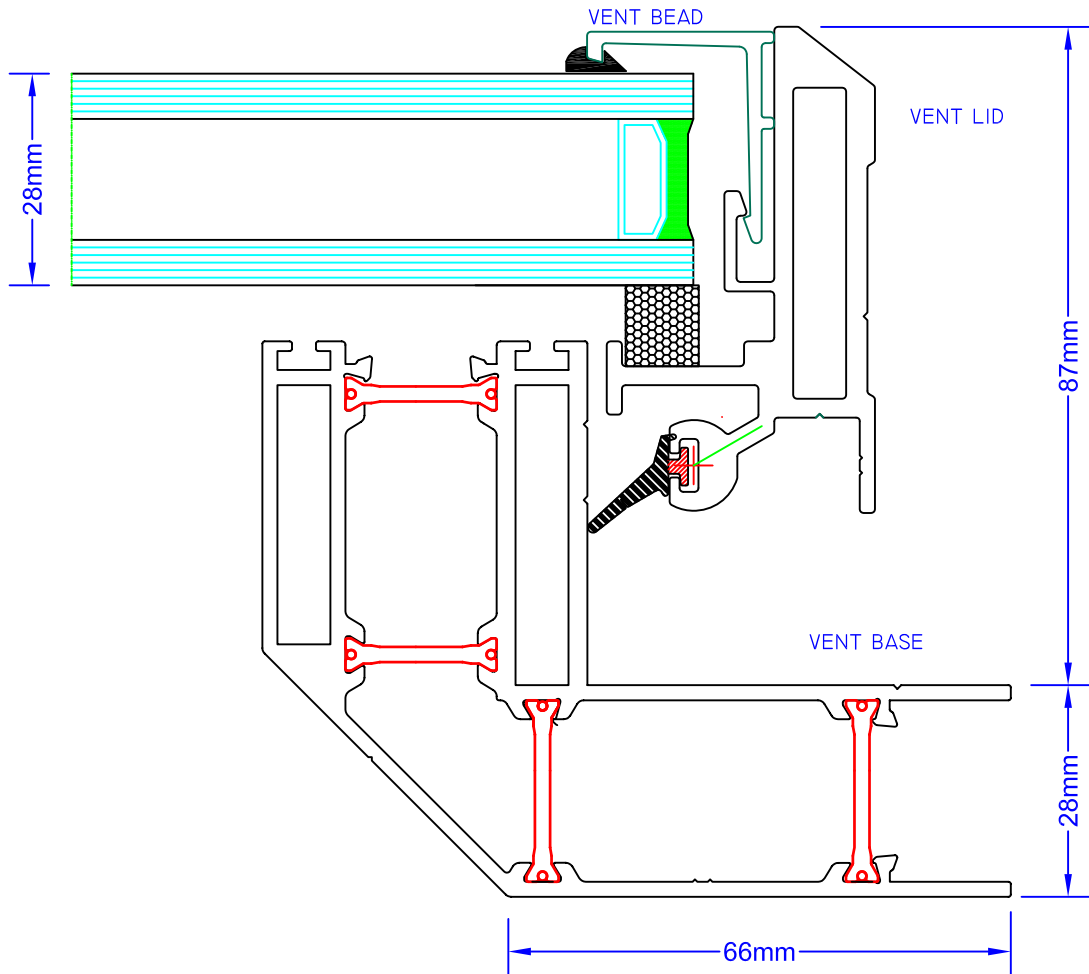
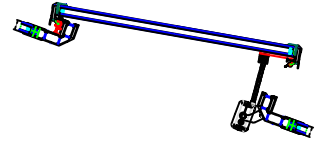


© All details are the copyright of Howells Glazing Systems Ltd

System	Howells Glazing Systems	System Reference	FILE REFERENCE
Description	ALTERNATIVE OUTER CAPPINGS	August 2008	HG50 Light Duty
			LIGHT/007

HG50 Light Duty - 28mm Thermal Roof Vent

Manual or Electrical Vents options available



System	Howells Glazing Systems	System Reference	FILE REFERENCE
Description	HG50 Light - 28mm Roof Vent	August 2008	HG50 Light Duty LIGHT/006