



Howells

Woods Lane, Cradley Heath. West Midlands. B64 7AN

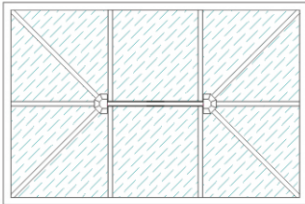
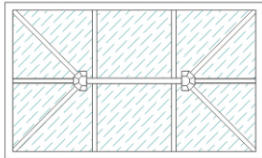
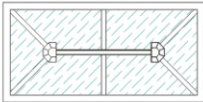
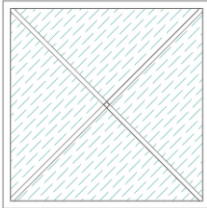
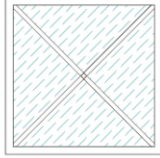
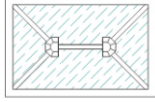
ORDER FORM

COMPANY NAME	
Contact Name	
Address	
Address	
County	
Post Code	

Tel. No.	
Fax. (If applicable)	
Email Address	
DATE OF ORDER	/ / 2015
ORDER No.	
YOUR ORDER REF.	

1. Choose Size and Quantity

2. Choose Glass

3000mm x 2000mm 	2500mm x 1500mm 	2000mm x 1000mm 
2000mm x 2000mm 	1500mm x 1500mm 	1500mm x 1000mm 

Please Tick

Clear glass only	<input type="checkbox"/>
Clear Self Clean	<input type="checkbox"/>
Blue Tint Activ Self Clean	<input type="checkbox"/>
Grey Tint Activ Self Clean	<input type="checkbox"/>
Unglazed	<input type="checkbox"/>
Other specification	<input type="checkbox"/>

3. Choose Colour



WHITE	GREY	DUAL COLOUR	ANY STANDARD RAL COLOUR OF YOUR CHOICE
<input type="checkbox"/>	<input type="checkbox"/>	<input type="checkbox"/>	<input type="text" value="RAL"/>
<small>RAL 9910 SATIN BRIGHT WHITE</small>	<small>RAL 7016 MATT ANTRACITE GREY</small>	<small>GREY EXTERNALLY WHITE INTERNALLY</small>	Matt / satin or Gloss ?



4. Roof Vents

	Please Tick	Qn'ty
Manual Vent	<input type="checkbox"/>	<input type="checkbox"/>
Operating Pole	<input type="checkbox"/>	<input type="checkbox"/>
Electrical Vent	<input type="checkbox"/>	<input type="checkbox"/>
On/Off Switch	<input type="checkbox"/>	<input type="checkbox"/>
Control Panel	<input type="checkbox"/>	<input type="checkbox"/>

5. Delivery Address/ Instructions