

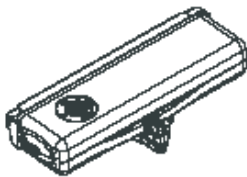
THERMALLY BROKEN (ELECTRICAL) ROOF VENT



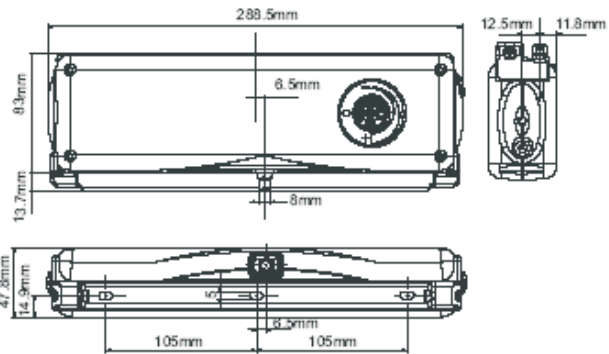
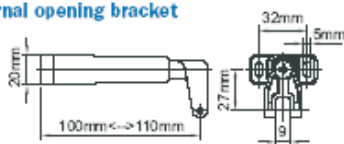
ACK4 Actuator



long bar bracket



internal opening bracket



(Manual option also available)

ALL ROOFS ARE MANUFACTURED TO YOUR SPECIFICATION

ACK4 ACTUATOR

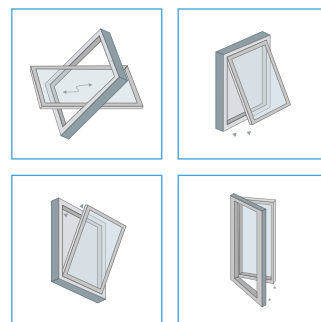
ACTUATORS CHAIN ACTUATORS

■ Applications



■ Colours

White (RAL 9010)
Black (RAL 9005)
Grey (RAL 9006)



■ ACK4 ACTUATOR

- Chain type actuator with adjustable travel (7 positions from 100-400mm).
- Strong die-cast aluminium body.
- Brackets and fixings to suit most applications (all sold separately).
- High protection degree IP55.
- A robust stainless steel chain with an acoustic device that warns of incorrect installation.
- All electrical parts are double insulated and supplied with 1.5m cable.
- Available in white, black or grey.



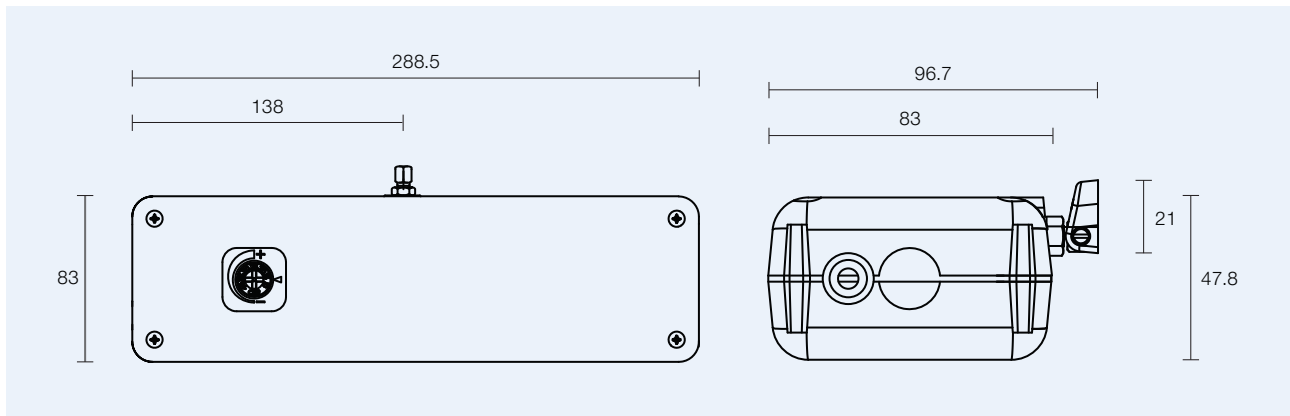
230V

24V

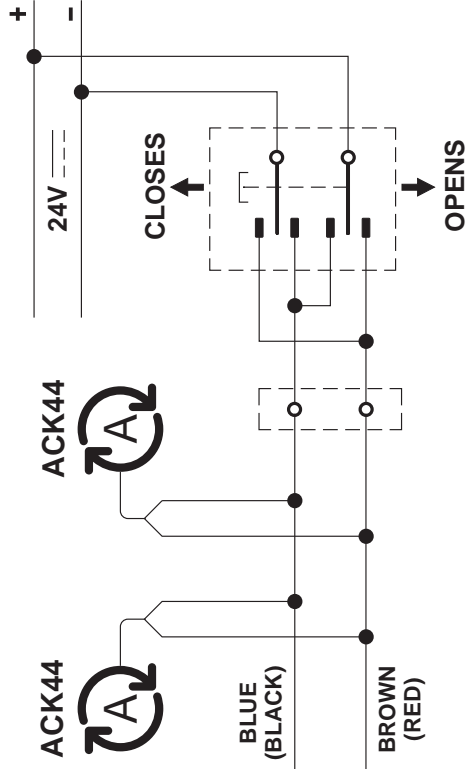
TECHNICAL DATA:

| CODE | ACK4230 | ACK424 |
|------------------|----------------------|----------------------|
| VOLTAGE | 230VAC | 24VDC |
| STROKE | 100-400mm | 100-400mm |
| THRUST FORCE | 300N | 300N |
| ABSORBED CURRENT | 0.32A | 1.35A |
| SPEED | 27mm/s | 17mm/s |
| PROTECTION CLASS | IP55 | IP55 |
| FLEX | 1.5m (3 CORE) | 1.5m (2 CORE) |
| COLOURS | WHITE / BLACK / GREY | WHITE / BLACK / GREY |
| LIMIT STOP | ELECTRONIC | ELECTRONIC |
| SAFETY STOP | ELECTRONIC | ELECTRONIC |
| MAX WINDOW WIDTH | <1.5m | <1.5m |

DIMENSIONS:



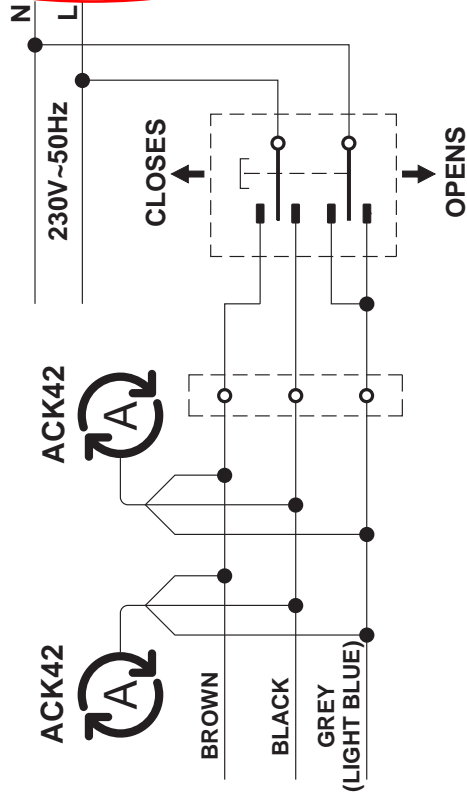
24 V



THIS SYMBOL IDENTIFIES THE TOPPELECTRICAL ACTUATOR IN WIRING DIAGRAM.

230 V

Wiring diagram



THIS SYMBOL IDENTIFIES THE TOPPELECTRICAL ACTUATOR IN WIRING DIAGRAM.

