

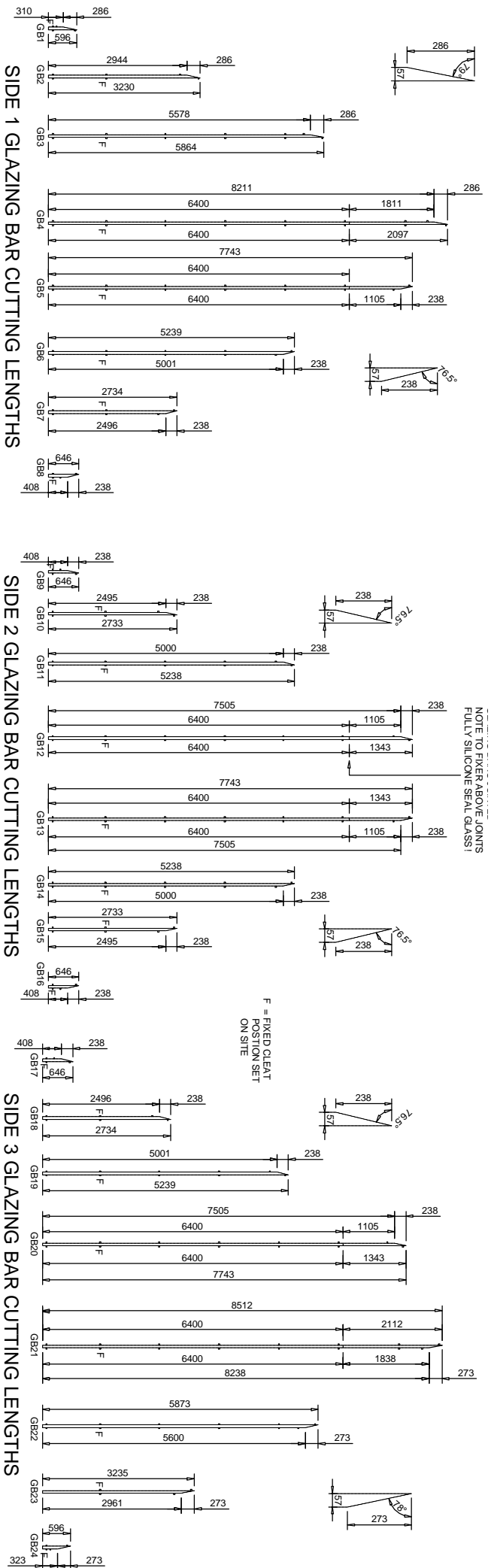
GLASS 6.4MM CLEAR LAMINATE  
 POLYESTER POWDER COATED FINISH  
 REF BLUE GREY RAL 5003.MATT  
 SYNTHA PULVIN REF.M4H0518

Rev.	Comments	Date
A	REVISED AS SITE SURVEY	22/4

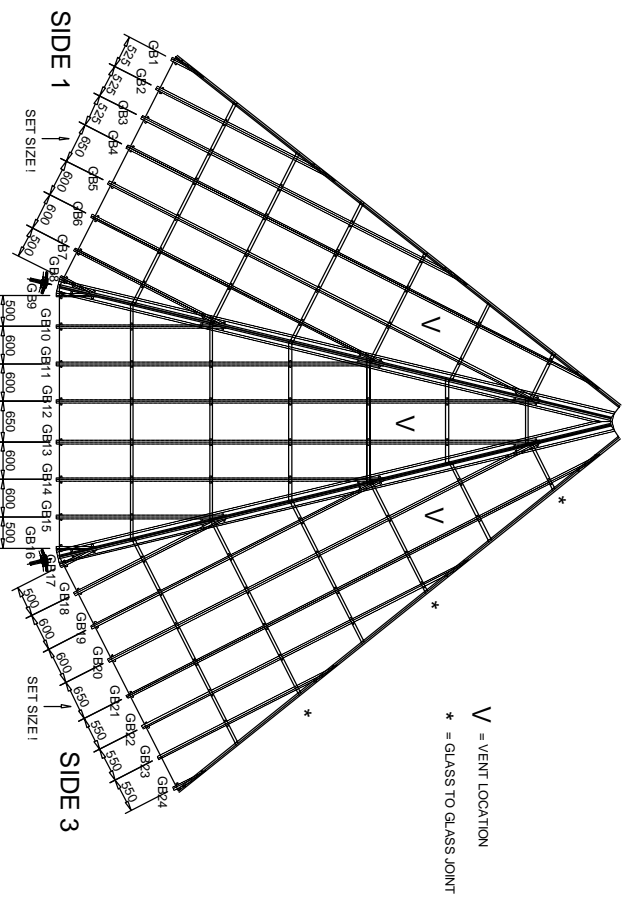
DETAILS by WWD

**H** Howells Patent Glazing  
 Triton Works  
 Woods Lane  
 Cradley Heath  
 B64 7AS

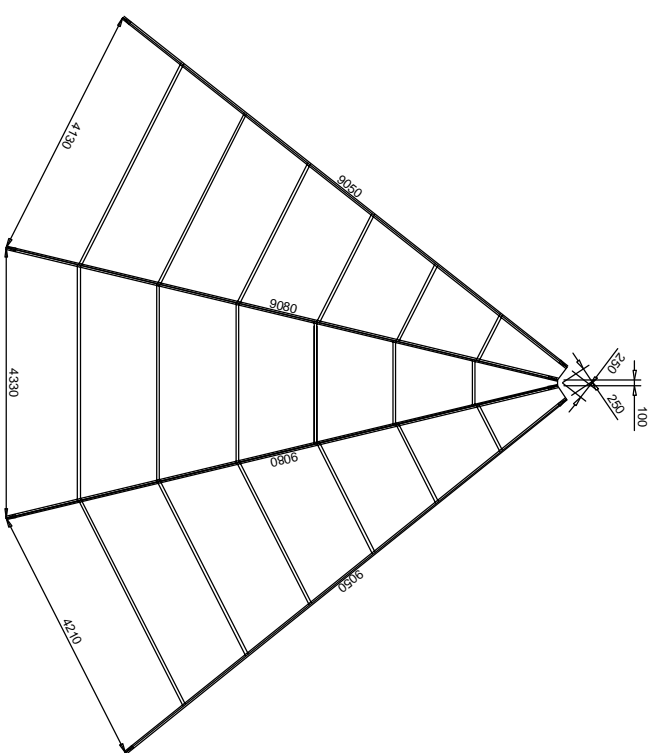
**G** Tel : 01384 820060  
 Fax : 01384 820061  
 e-mail : enquiries@howellsglazing.co.uk



NOTE TO FIXER ABOVE JOINTS FULLY SILICONE SEAL GLASS!



IF REOD HPGL FIXER TO ADJUST OTHER CENTRES TO SUIT SETTING OUT AND ADVISE REVISED CENTRES SO GLASS CAN BE ORDERED

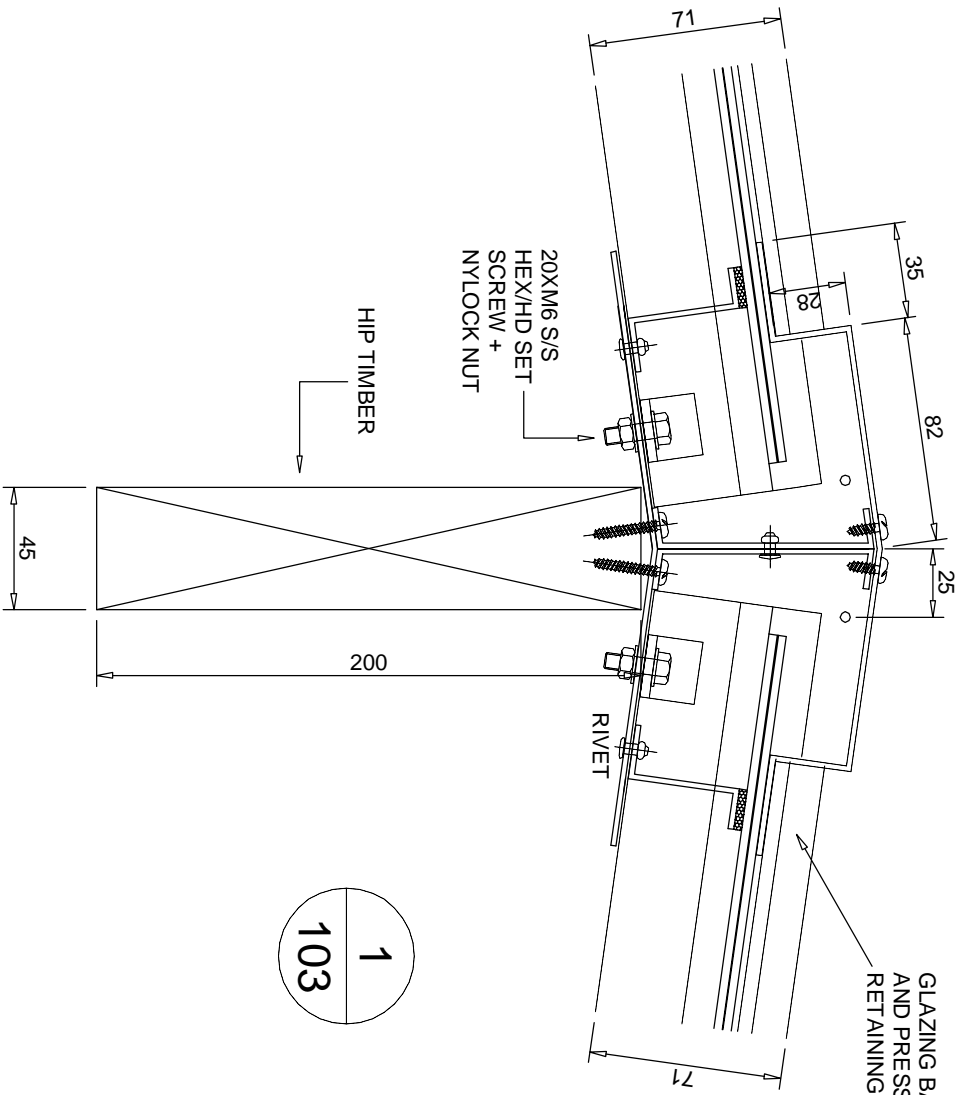


Rev.	Comments	Date

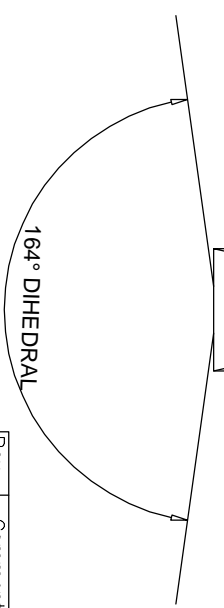
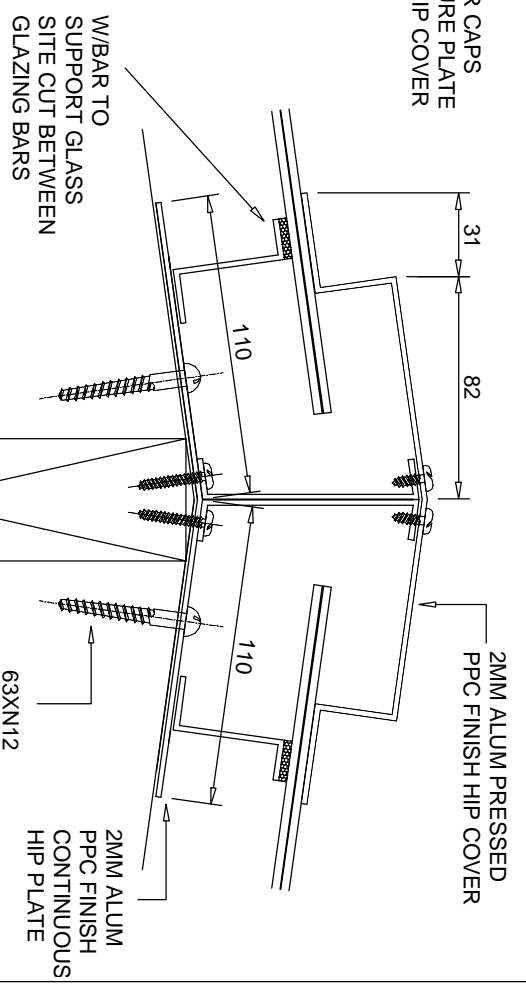
DETAILS by WWD

**H** Howells Patent Glazing  
 Trilon Works  
 Woods Lane  
 Cradley Heath  
 B64 7AS

**G** Tel :- 01384 820060  
 Fax :- 01384 820061  
 e-mail :- enquiries@howellsglazing.co.uk



1  
103



Rev.	Comments	Date
A	REVISED AS SITE SURVEY	22/4

DETAILS by WWD

**H** Howells Patent Glazing

**P** Tilton Works  
Woods Lane  
Cradley Heath  
B64 7AS

**G** Tel :- 01384 820060  
Fax :- 01384 820061  
e-mail :-  
enquiries@howellsglazing.co.uk



