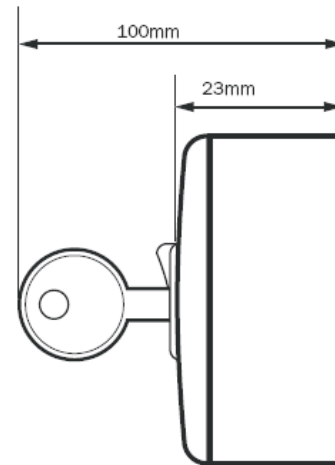
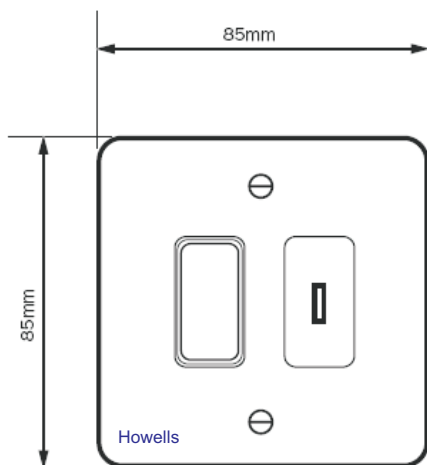
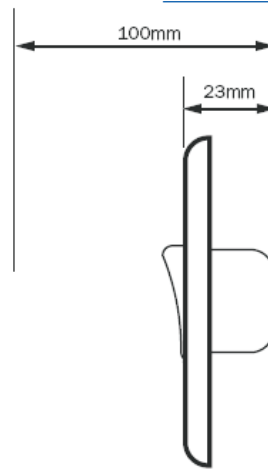
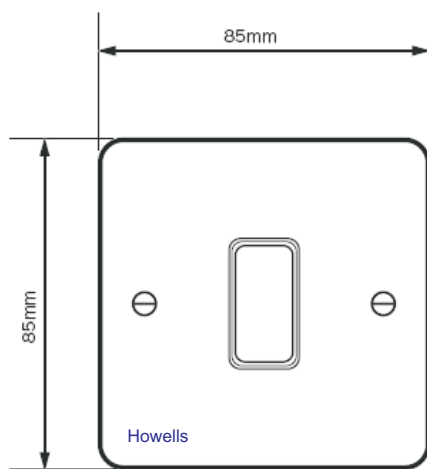


Howells Glazing Systems

On/Off Rocker Switch



Technical Specification

Voltage supply
Output voltage
Max amps
Zones
Colours

R SWITCH
230v/110v/24v
230v/110v/24v
10 amps
1,2,3,4
white, satin or
brushed chrome or brass

KEY SWITCH
230v
230v
10 amps
1
white

Product Summary

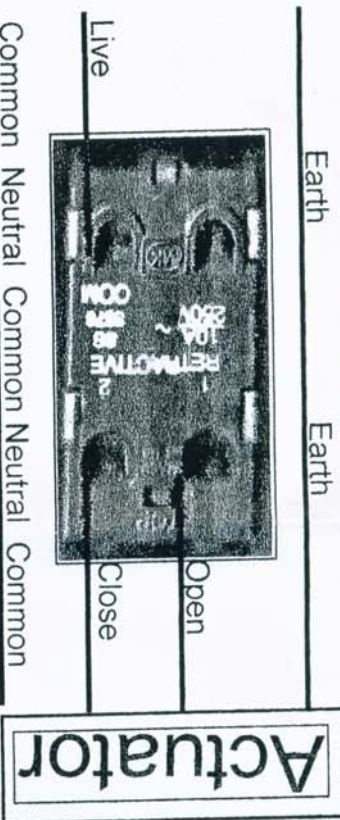
- Single pole, double throw, sensor off function
- Stylish retractive switch
- For use upto 10amps
- Available in white, satin or brushed chrome and brass

(Rocker Switch)

£35.00 + VAT
(Delivery Not Included)

Retractive Switch Wiring And Installation (10amps)

SWITCH



From Retractive Switch to actuator: Run 4 core flex (.75mm or larger) from controller - the earth wire is connected to controllers earth.

To Retractive Switch: A 1.5mm 3 core flex supply connected to a switched fused spur (fused at between 3-5amp).

D6 Linear Actuator - Blue = Common (Neutral), Close = Black, Open = Brown, Earth = Yellow/Green

Some D6 have 6wires if you have supplementary red and white wire connect them together and leave them on their own.

Micro L+xl chain Actuators - Blue = common, Open = Black, Close = Brown, Earth = Yellow/Green.

ACK4=C20 Chain Actuator - Blue/Grey = Common, Open = Black, Close = Brown.

WE DO RECOMMEND THAT A QUALIFIED ELECTRICIAN INSTALLS THESE UNITS.

Call for any technical enquiries in relation to the motors or controllers **ONLY** on 01202 744958