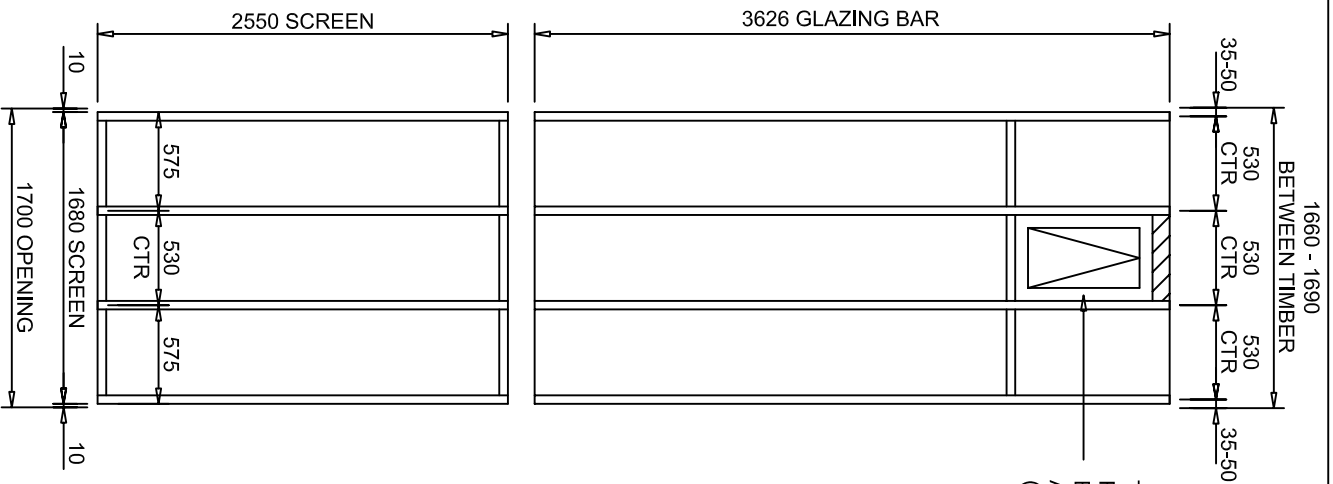


Drawing title: ROOF & VERTICAL GLAZING
 Scale: NTS
 Date: 16 / 4 / 2007
 Customer: TASS LEATHER
 Site: PEERSWOOD COTTAGE
 Contract No.: C1904
 Drawing No.: 101 A

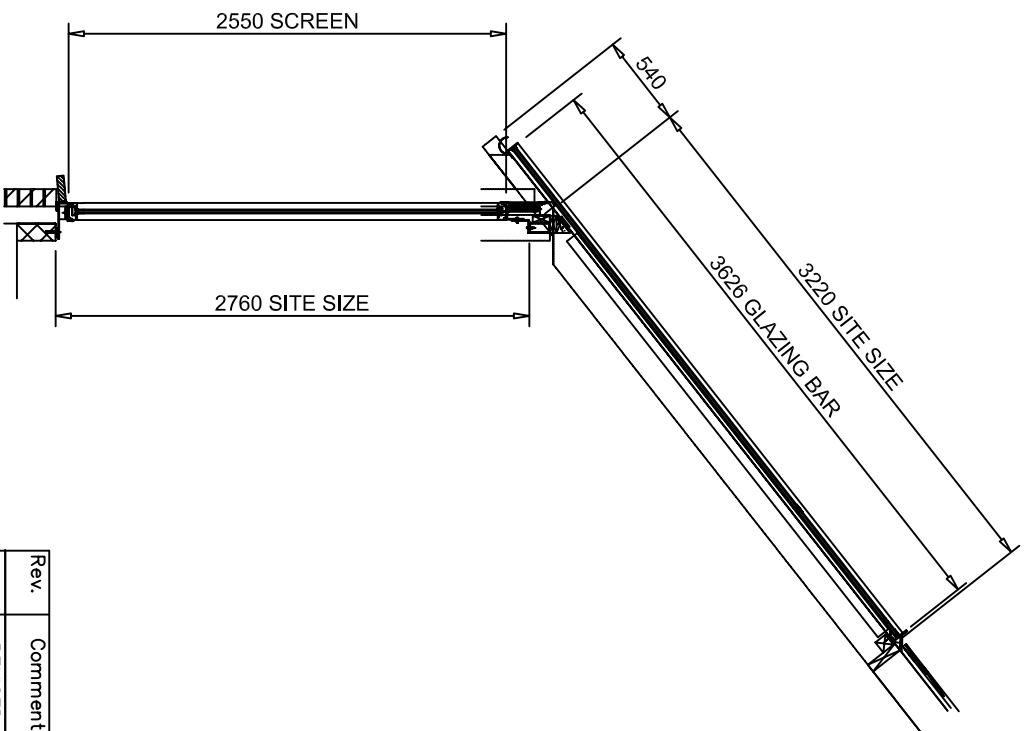
Rev.	Comments	Date
A	REVISED AS SITE SURVEY	3/7
DETAILS by WMD		

H Howells Patent Glazing
 Clock House
 Forge Lane
 Cradley Heath
 West Midlands
 B64 5AL
P
 Tel :- 01384 820060
 Fax :- 01384 820061
 e-mail :-
G enquiries@howellsglazing.co.uk



TOP HUNG VENT
 FITTED WITH
 ELECTRIC CHAIN OPENER
 AND ROCKER SWITCH
 (WIRING BY OTHERS)

2 No REQD THUS
 TYPE W1 AND W2



Drawing title	Scale	Date	Customer	Site
ROOF & VERTICAL GLAZING	NTS	16 / 4 / 2007	TASS LEATHER	PEERSWOOD COTTAGE
Finish	Glass			
EXTERNAL POLYESTER POWDER COATED BS 10 B 21 GLOSS INTERNAL POLYESTER POWDER COATED RAL 9001 MATT	VERTICAL 24MM DOUBLE GLAZED UNITS COMPRISING 6MM CLEAR TOUGHENED OUTER 12MM CAVITY 6MM CLEAR LOW E TOUGHENED INNER CENTRE PANE U VALUE = 1,1 WMK2			ROOF 24MM DOUBLE GLAZED UNITS COMPRISING 6MM ANTISUN GREY TOUGHENED OUTER WITH RYTEC COATING, 12MM CAVITY 6MM CLEAR LOW E TOUGHENED INNER CENTRE PANE U VALUE = 1,1 WMK2

Rev.	Comments	Date
A	REVISED AS SITE SURVEY	3/7

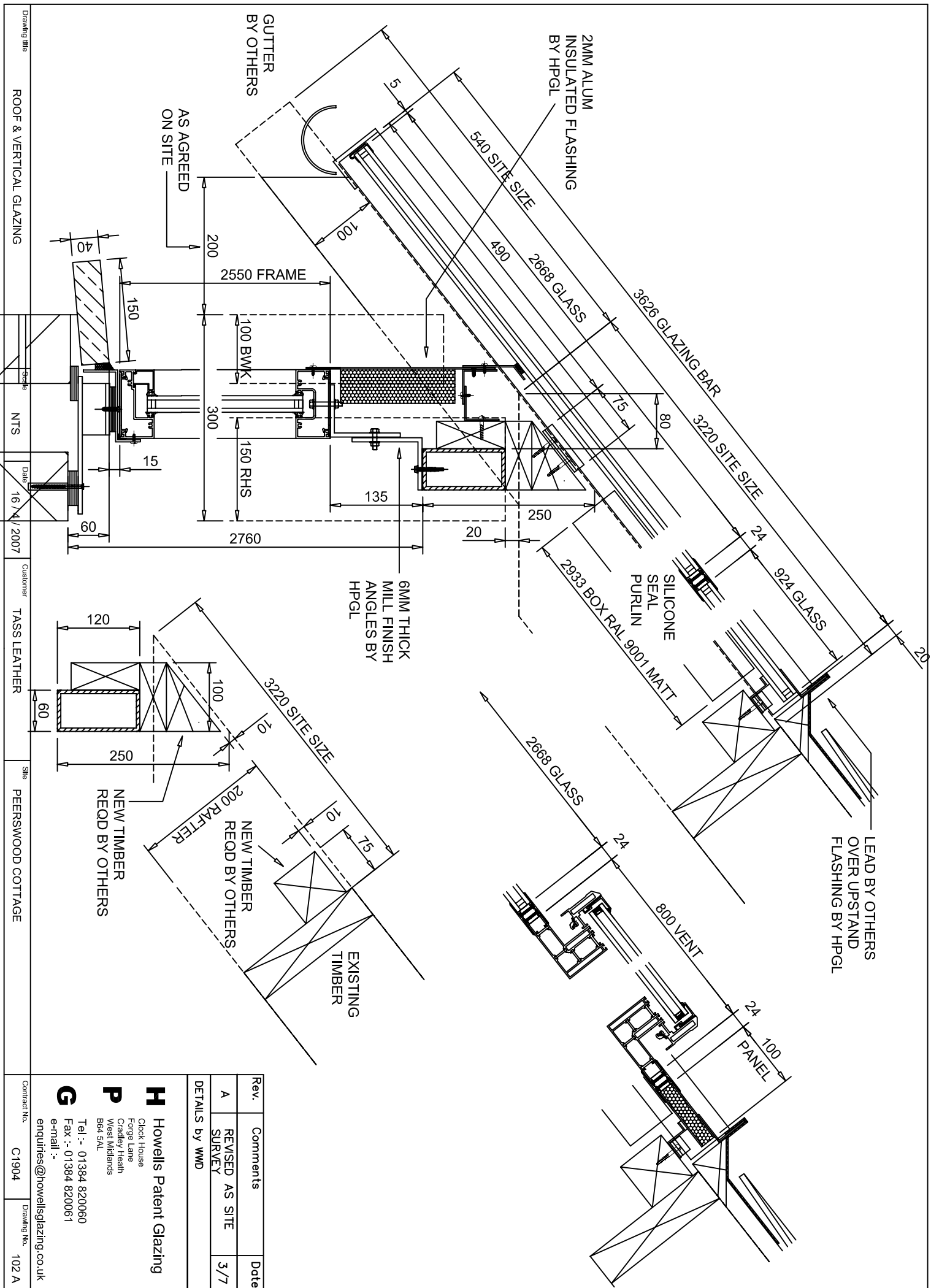
DETAILS by WWD

H Howells Patent Glazing
 Clock House
 Forge Lane
 Cradley Heath
 West Midlands
 B64 5AL

P
 Tel :- 01384 820060
 Fax :- 01384 820061

G
 e-mail :-
 enquiries@howellsglazing.co.uk

Contract No. C1904 Drawing No. 100 A



Drawing title: ROOF & VERTICAL GLAZING
 Scale: NTS
 Date: 16/11/2007
 Customer: TASS LEATHER
 Site: PEERSWOOD COTTAGE
 Contract No.: C1904
 Drawing No.: 102 A

Rev.	Comments	Date
A	REVISED AS SITE SURVEY	3/7

DETAILS by WMD

H Howells Patent Glazing

Clock House
 Forge Lane
 Cradley Heath
 West Midlands
 B64 5AL

Tel :- 01384 820060
 Fax :- 01384 820061
 e-mail :- enquiries@howellsglazing.co.uk

G