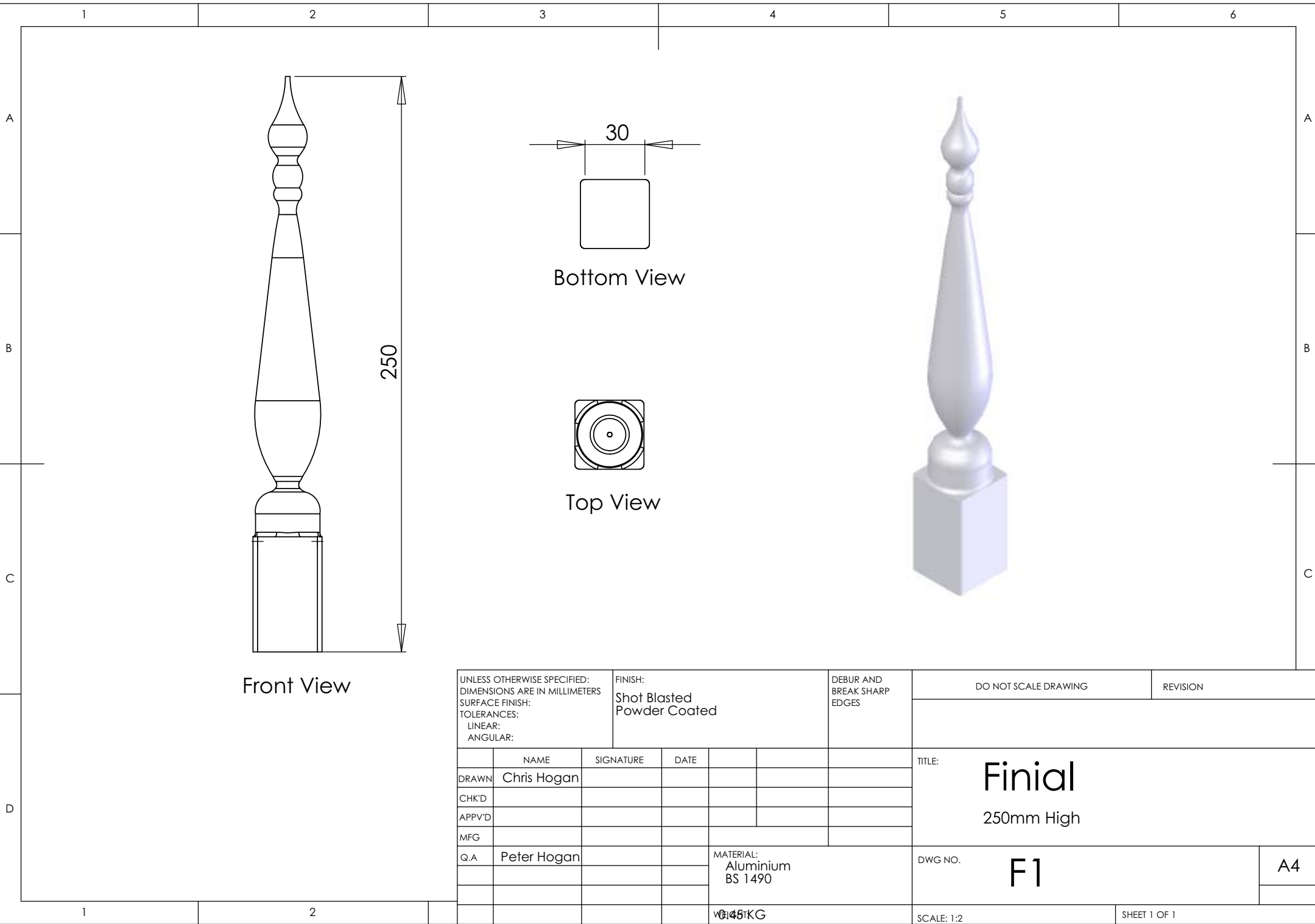


| | | | | | | | |
|---|-------------|-----------|------|---------------------------|--|-----------------------------------|--|
| UNLESS OTHERWISE SPECIFIED: DIMENSIONS ARE IN MILLIMETERS SURFACE FINISH: TOLERANCES: LINEAR: ANGULAR: | | | | FINISH: | | DEBUR AND BREAK SHARP EDGES | |
| | NAME | SIGNATURE | DATE | | | TITLE: | |
| DRAWN | Chris Hogan | | | | | <h1>Finial</h1> | |
| CHK'D | | | | | | | |
| APPV'D | | | | | | | |
| MFG | Peter Hogan | | | | | | |
| Q.A | | | | | | | |
| | | | | MATERIAL: Polyurethane | | DWG NO. | |
| | | | | WEIGHT: 1.1 KG | | A4 | |

| | | | |
|----------------------|--|----------|--|
| DO NOT SCALE DRAWING | | REVISION | |
| <h1>PF5</h1> | | | |
| SHEET 1 OF 1 | | | |

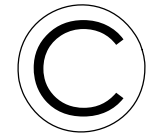
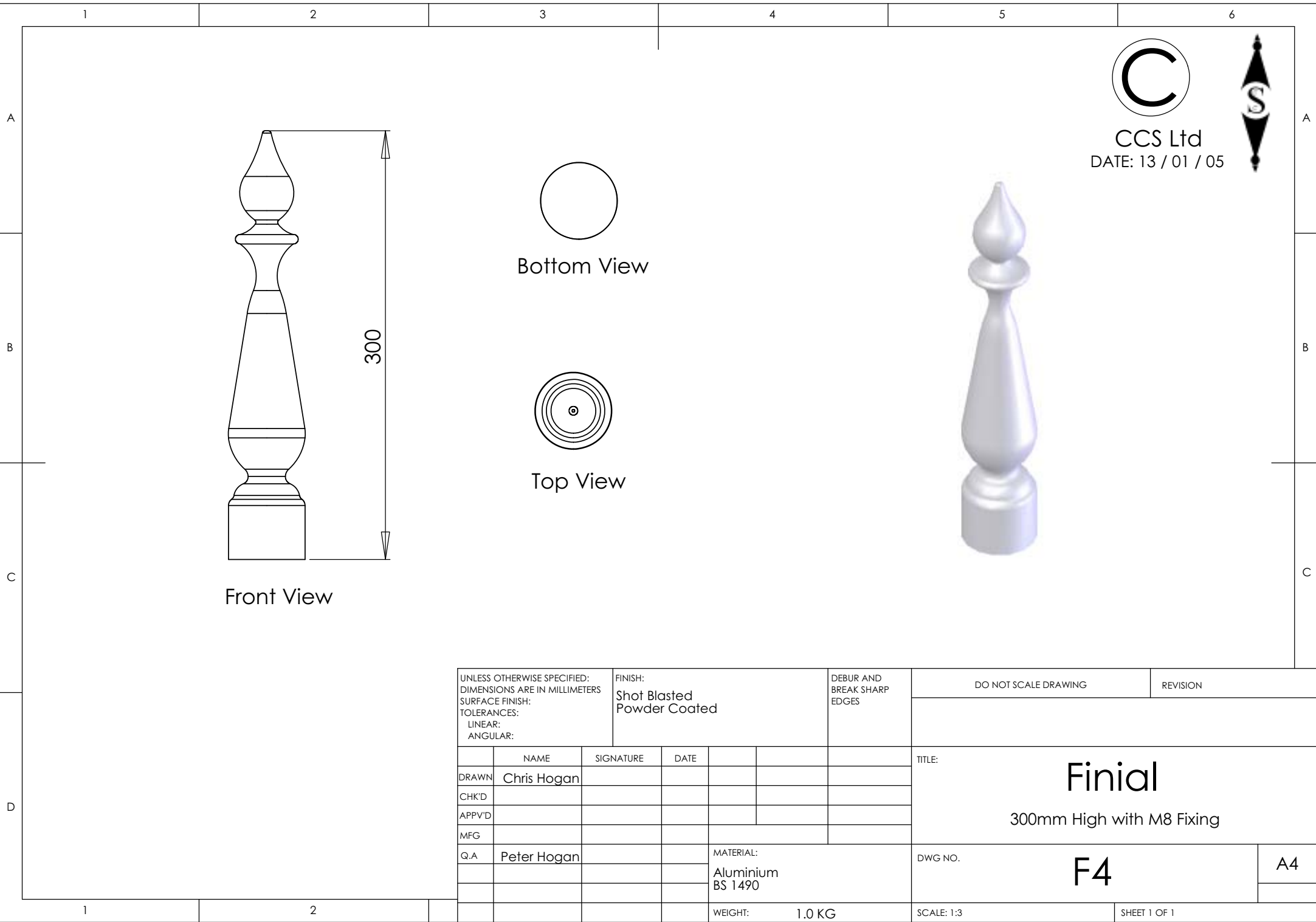


Front View

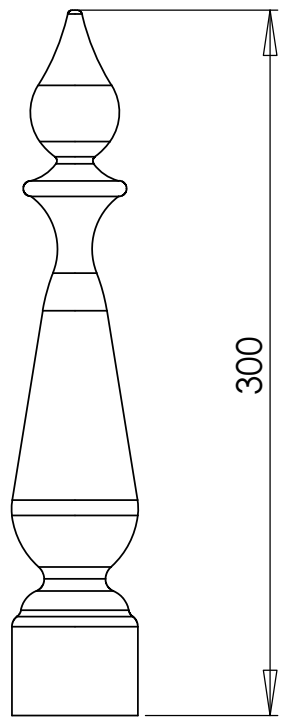
Bottom View

Top View

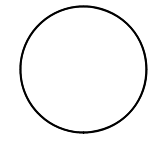
| | | | | | | | | | | | | | |
|---|--|-------------|--|--|--|-----------------------------------|--|---------------------------------------|--|--------------|--|--|--|
| UNLESS OTHERWISE SPECIFIED: DIMENSIONS ARE IN MILLIMETERS SURFACE FINISH: TOLERANCES: LINEAR: ANGULAR: | | | | FINISH: Shot Blasted Powder Coated | | DEBUR AND BREAK SHARP EDGES | | DO NOT SCALE DRAWING | | REVISION | | | |
| | | | | | | | | TITLE: Finial 250mm High | | | | | |
| DRAWN | | Chris Hogan | | SIGNATURE | | DATE | | | | | | | |
| CHK'D | | | | | | | | | | | | | |
| APPV'D | | | | | | | | | | | | | |
| MFG | | | | | | | | | | | | | |
| Q.A | | Peter Hogan | | | | MATERIAL: Aluminium BS 1490 | | DWG NO. F1 | | A4 | | | |
| | | | | | | WEIGHT: 0.45KG | | SCALE: 1:2 | | SHEET 1 OF 1 | | | |



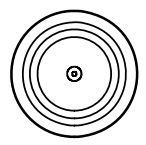
CCS Ltd
DATE: 13 / 01 / 05



Front View



Bottom View



Top View



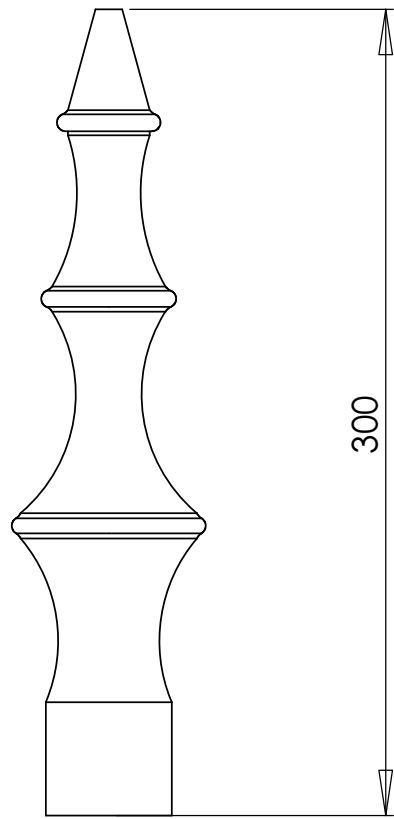
| | | | | | | | | | |
|--|-------------|--|------|-----------------------------------|--|--|--|--------------|--|
| UNLESS OTHERWISE SPECIFIED: DIMENSIONS ARE IN MILLIMETERS | | FINISH: Shot Blasted Powder Coated | | DEBUR AND BREAK SHARP EDGES | | DO NOT SCALE DRAWING | | REVISION | |
| SURFACE FINISH: | | | | | | | | | |
| TOLERANCES: | | | | | | | | | |
| LINEAR: | | | | | | | | | |
| ANGULAR: | | | | | | | | | |
| | NAME | SIGNATURE | DATE | | | TITLE: | | | |
| DRAWN | Chris Hogan | | | | | <h1>Finial</h1> <p>300mm High with M8 Fixing</p> | | | |
| CHK'D | | | | | | | | | |
| APPV'D | | | | | | | | | |
| MFG | | | | | | | | | |
| Q.A | Peter Hogan | | | | | | | | |
| | | | | MATERIAL: Aluminium BS 1490 | | DWG NO. | | <h1>F4</h1> | |
| | | | | WEIGHT: 1.0 KG | | SCALE: 1:3 | | SHEET 1 OF 1 | |

Finial

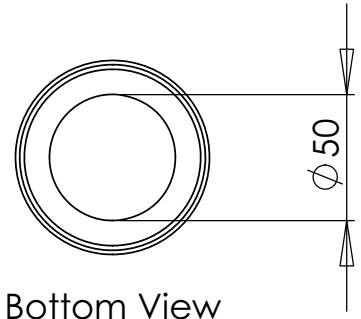
300mm High with M8 Fixing

F4

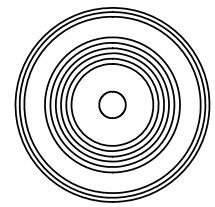
A4



Front View



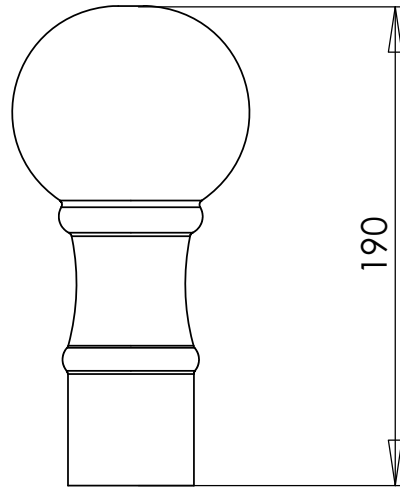
Bottom View



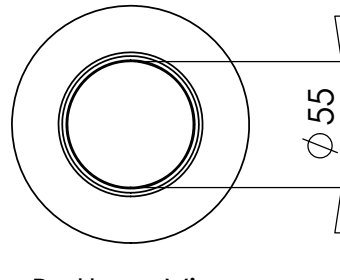
Top View



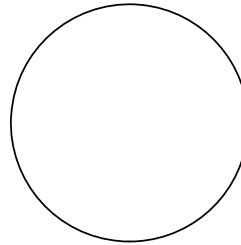
| | | | | | | | | | |
|--|-------------|--|------|-----------------------------------|----------------------|---|--|--------------|--|
| UNLESS OTHERWISE SPECIFIED: DIMENSIONS ARE IN MILLIMETERS | | FINISH: Shot Blasted Powder Coated | | DEBUR AND BREAK SHARP EDGES | | DO NOT SCALE DRAWING | | REVISION | |
| SURFACE FINISH: | | | | | | | | | |
| TOLERANCES: | | | | | | | | | |
| LINEAR: | | | | | | | | | |
| ANGULAR: | | | | | | | | | |
| | NAME | SIGNATURE | DATE | | | TITLE: | | | |
| DRAWN | Chris Hogan | | | | | Georgian Finial | | | |
| CHK'D | | | | | | Round Base 50mm Dia. x 300mm High M10 Fixing | | | |
| APPV'D | | | | | | | | | |
| MFG | | | | | | | | | |
| Q.A | Peter Hogan | | | | MATERIAL: | DWG NO. | | A4 | |
| | | | | | Aluminium BS 1490 | CCS 007 | | | |
| | | | | | WEIGHT: 1.0 KG | SCALE: 1:3 | | SHEET 1 OF 1 | |



Front View



Bottom View



Top View



UNLESS OTHERWISE SPECIFIED:
 DIMENSIONS ARE IN MILLIMETERS
 SURFACE FINISH:
 TOLERANCES:
 LINEAR:
 ANGULAR:

FINISH:
 Shot Blasted
 Powder Coated

DEBUR AND
 BREAK SHARP
 EDGES

DO NOT SCALE DRAWING

REVISION

| | NAME | SIGNATURE | DATE | | |
|--------|-------------|-----------|------|-----------------------------------|--|
| DRAWN | Chris Hogan | | | | |
| CHK'D | | | | | |
| APPV'D | | | | | |
| MFG | | | | | |
| Q.A | Peter Hogan | | | MATERIAL: Aluminium BS 1490 | |
| | | | | WEIGHT: 1.6 KG | |

TITLE:

Victorian Ball Finial

Victorian Ball Finial - 190mm High
 50mm Dia. Base with M10 Fixing

DWG NO.

CCS 068

A4

SCALE: 1:3

SHEET 1 OF 1