

ECONOMY RAFTER GLAZING BARS

Howells Glazing Systems - 01384 820060 Fax. 01384 860150 Web. www.howellsglazing.co.uk E-mail Howellsupply@btconnect.com

Timber Supported Products

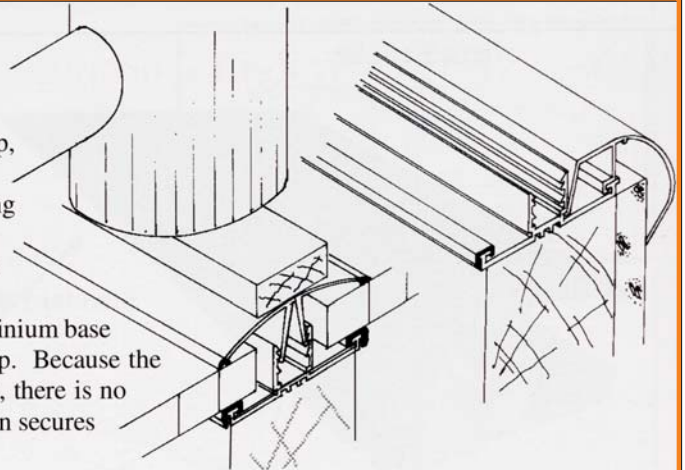
The Standard Glazing Bar

From the company that invented the one piece snap in glazing cap, the Standard Bar has evolved to be the first ever Single Top Cap designed to snap in securely, offering controlled, even glazing pressure along the full length of the glazing sheet, courtesy of the co-extruded bead. All co-extrusions are colour co-ordinated to the caps.

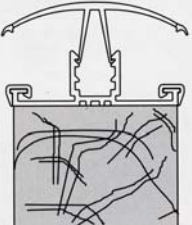
Installation is simple, just screw down through the centre of the aluminium base into the timber joist, add glazing panels, and secure with the top cap. Because the screw hole is in the central channel and not in the drainage channel, there is no chance of leaks, and no extra silicon seals needed. A simple tap down secures the glazing material for years to come.

Looks simple, looks good & is effective - The Original Bar others have tried to copy!

N.B. Standard Main, Hip & Edge Bar Packs. 2.5m & 3.05m have 1 end cap included, 4m & 6m have two end caps included.

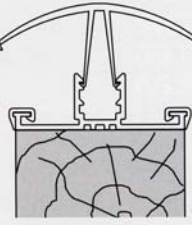


Economy Center Bar

	Bar Length	White	Brown
	2500mm	8.19	8.80
3000mm	10.00	10.80	
4000mm	13.50	14.10	
6000mm	o/a	o/a	

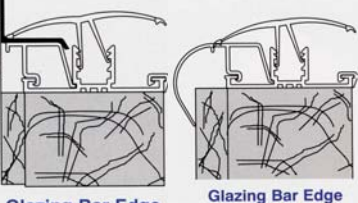
Standard Glazing Bar for 10 & 16mm

Economy Hip Bar

	Bar Length	White	Brown
	2500mm	o/a	o/a
3000mm	o/a	o/a	
4000mm	14.20	15.85	
6000mm	o/a	o/a	

Standard Hip Glazing Bar for 10 & 16mm

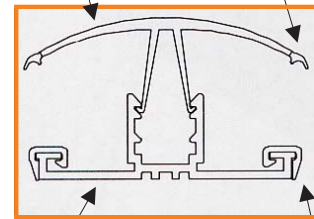
Economy End Bars

	Bar Length	White	Brown
	2500mm	11.49	12.32
3000mm	13.30	14.30	
4000mm	17.50	18.70	

Glazing Bar Edge (as Wall Bar) Glazing Bar Edge (as Edge Bar)

PVC snap on cap

Co-extruded gasket



Aluminium Base

Clip in Gasket

Economy Accessories

		White	Brown
	Eaves Filler	2100mm	1.70 1.80
	10mm End Closure	2100mm	3.00 3.25
	16mm End Closure	2100mm	1.75 2.00
	Extra End Plates	(each)	0.32 0.34



All prices exclusive of vat

JAN 2005

Section/ Page	EC: 03
---------------	--------

HG ECON - RAFTER BAR

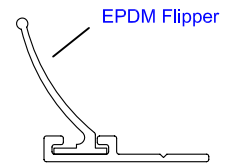
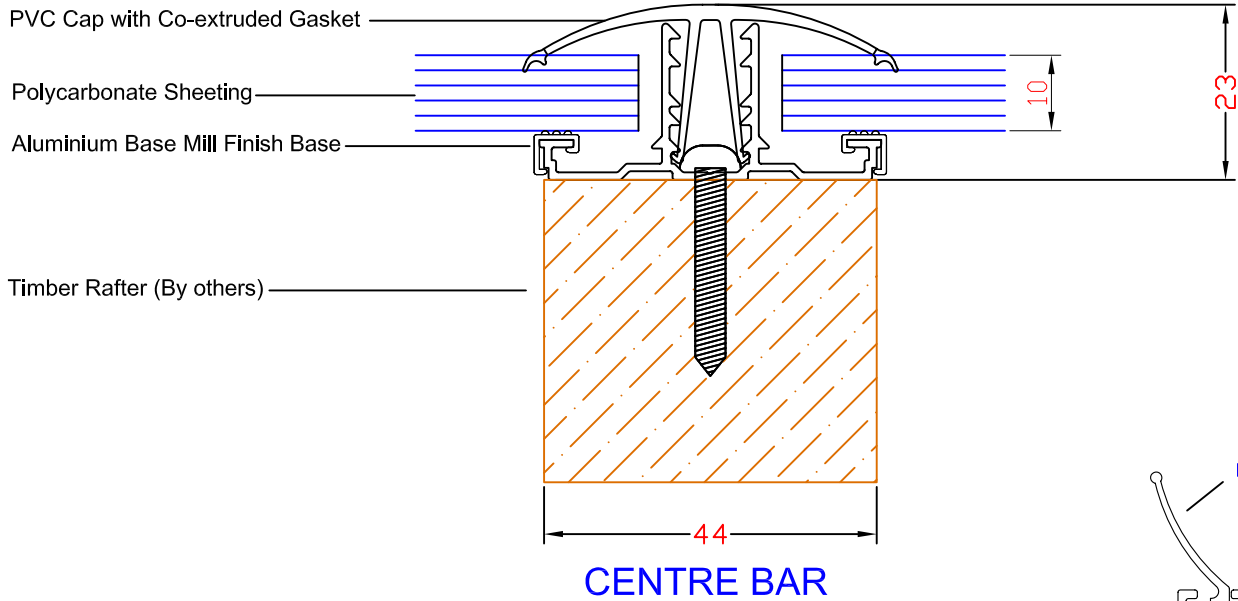
Scale Factor	1:1 @ A4
--------------	----------

10mm CENTRE / HIP & END BARS

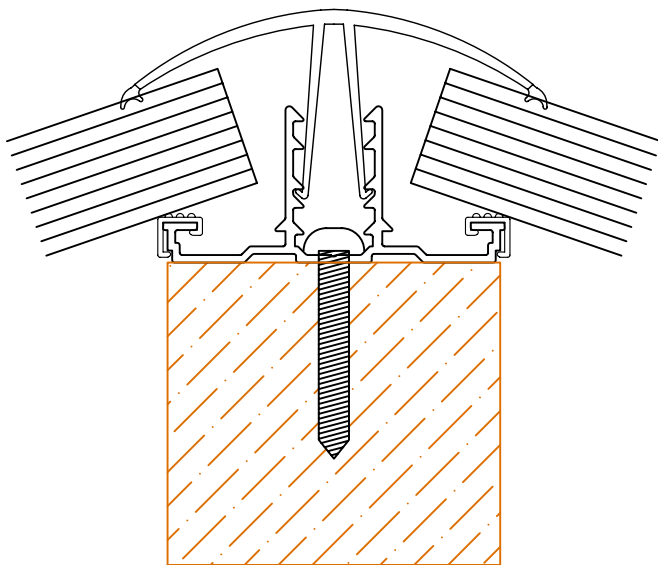


Howells Patent Glazing Ltd
Est 1971

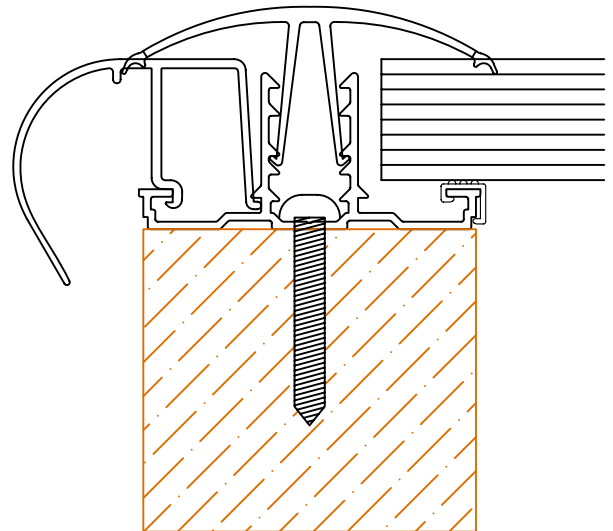
For use with Multiwall Polycarbonate 10mm / 16mm / 25mm Sheeting



Eaves Filler



HIP BAR



END BAR

Howells Patent Glazing Ltd

Forge Lane, Cradley Heath. West Midlands. B64 5AL. Tel. 01384 820060 - Fax. (Contracts) 01384 820061 Fax. (Sales) 01384 860150

Email (Contracts)enquiries@howellsglazing.co.uk

Email (Supply only)howellssupply@btconnect.com

Web Site : www.howellsglazing.co.uk

Section/ Page	EC: 02
---------------	--------

HG ECON - RAFTER BAR

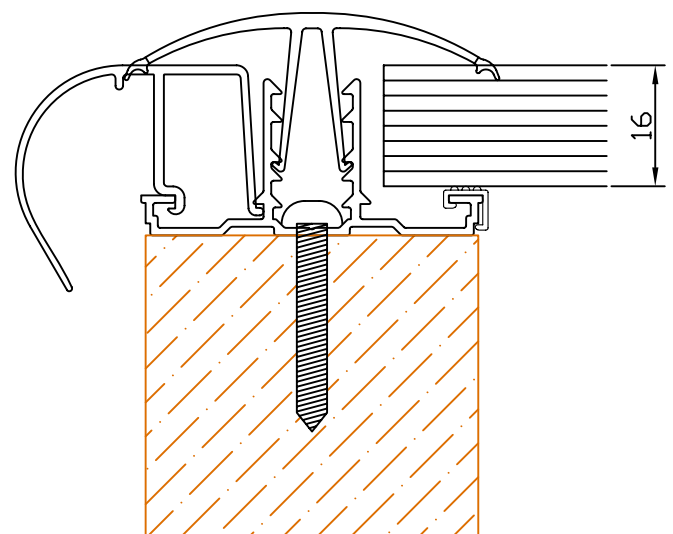
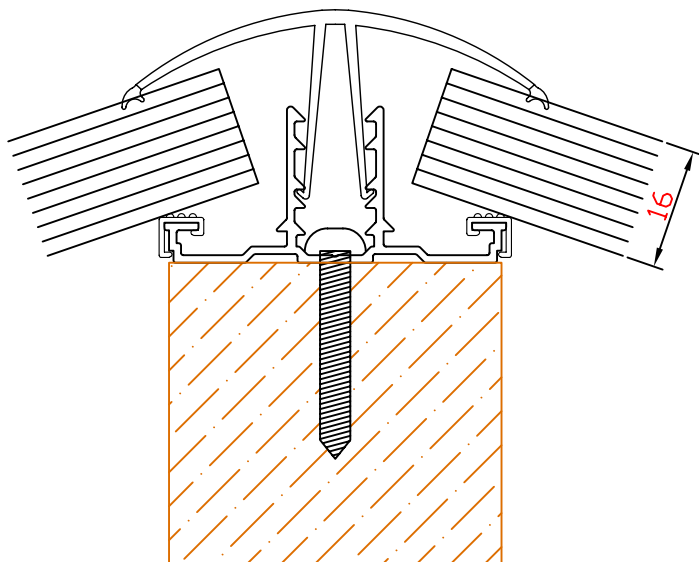
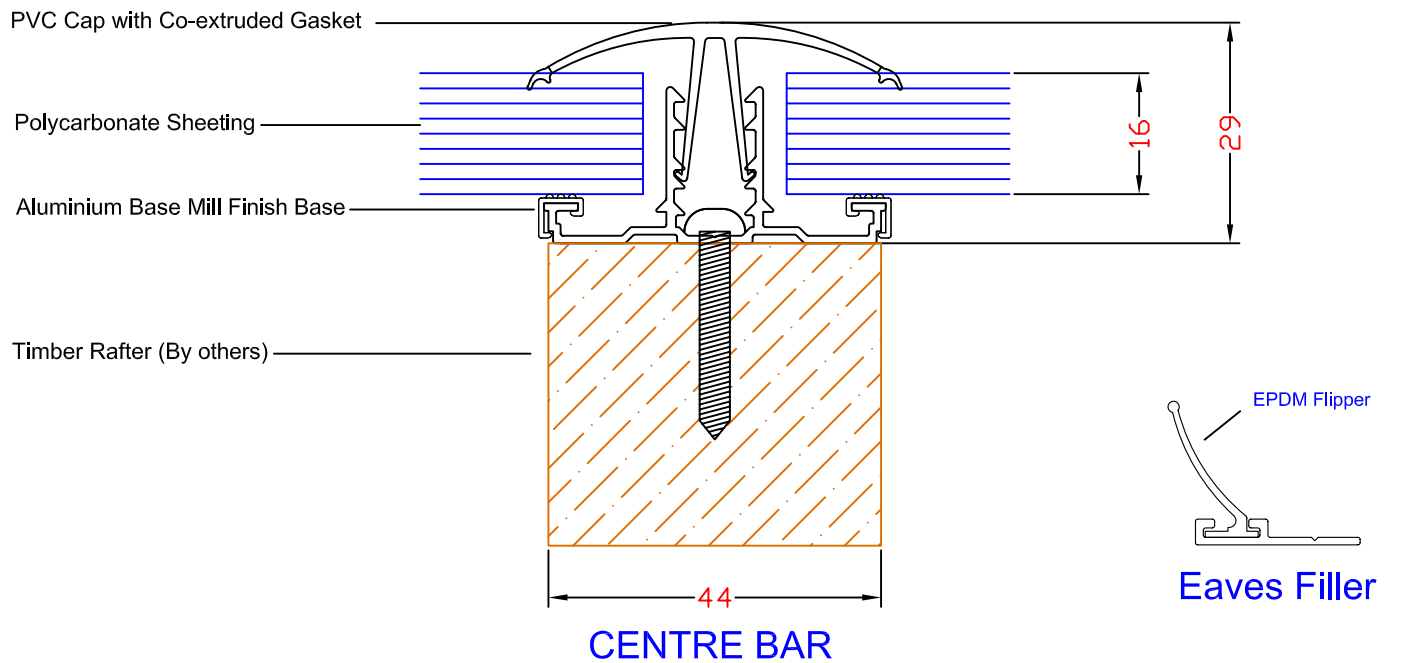


Scale Factor	1:1 @ A4
--------------	----------

16mm CENTRE / HIP & END BARS

For use with Multiwall Polycarbonate 10mm / 16mm / 25mm Sheeting

Howells Patent Glazing Ltd
Est 1971



Howells Patent Glazing Ltd

Section/ Page	EC: 01
---------------	--------

HG ECON - RAFTER BAR

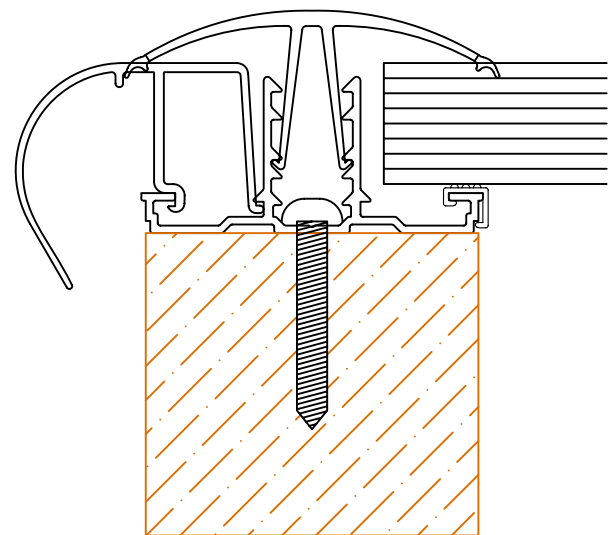
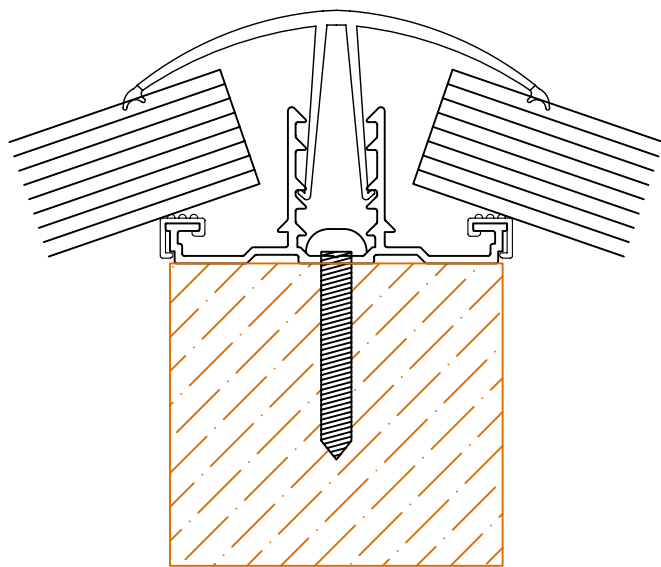
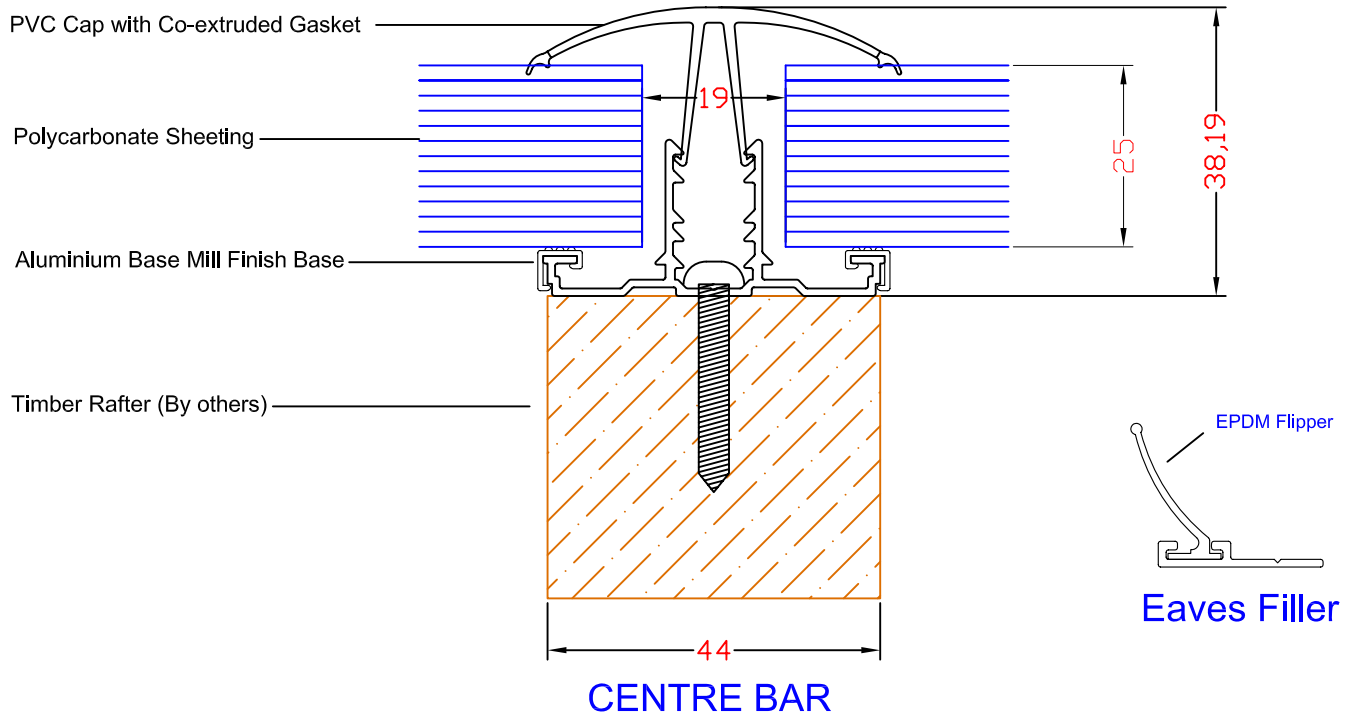
Scale Factor	1:1 @ A4
--------------	----------

25mm CENTRE / HIP & END BARS



Howells Patent Glazing Ltd
Est 1971

For use with Multiwall Polycarbonate 10mm / 16mm / 25mm Sheeting



Howells Patent Glazing Ltd