

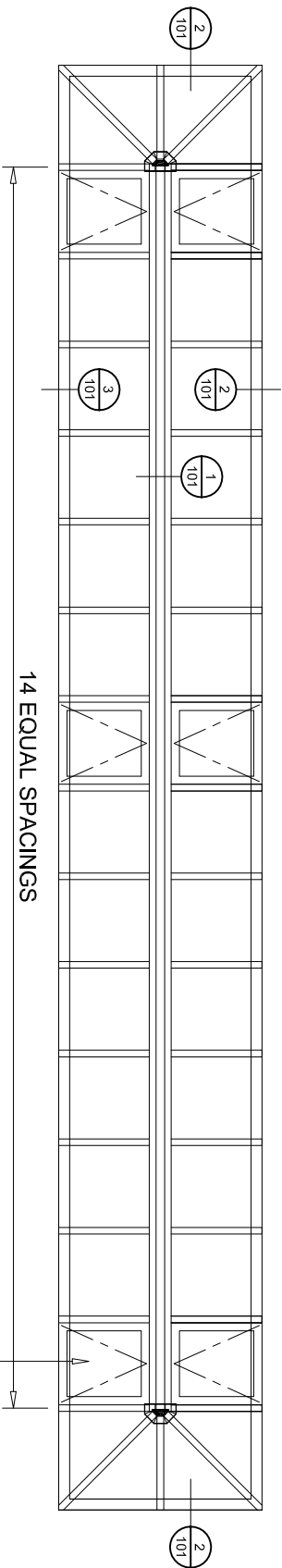




OUTER FACES OF STUD WALLS TO BE CHECKED ON SITE

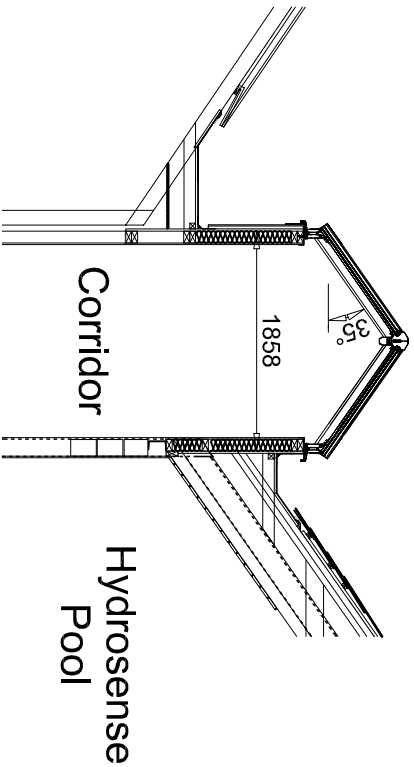
1858

13188  
OUTER FACES OF STUD WALLS TO BE CHECKED ON SITE



ONE NO REQD THUS

6 NO TOP HUNG VENTS  
OPERATED BY ELECTRIC  
CHAIN OPENERS AND  
ROCKER SWITCH FOR OPEN  
AND CLOSE FACILITY  
ALL WIRING BY OTHERS



Corridor

Hydrosense  
Pool

Rev.	Comments	Date

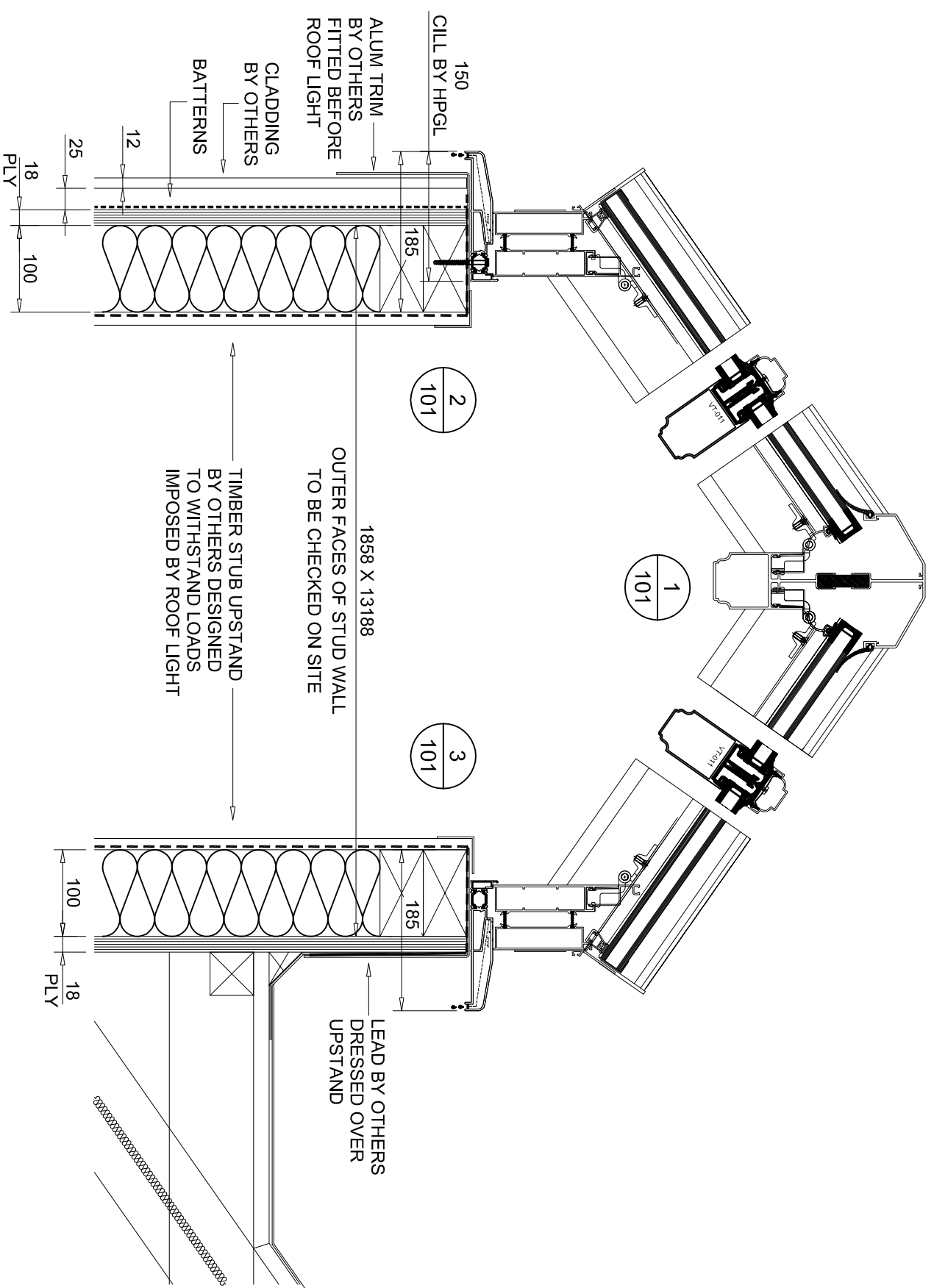
DETAILS by WWD

**H** Howells Patent Glazing

**P** Trilon Works  
Woods Lane  
Cradley Heath  
West Midlands  
B64 7AS

**G** Tel :- 01384 820060  
Fax :- 01384 820061  
e-mail :-  
enquiries@howellsglazing.co.uk

Drawing title	Scale	Date	Customer	Finish	Contract No.	Drawing No.
ROOFLIGHT GLAZING - PLAN AND SECTION	NTS	20/1/2009	SPICERS LTD	POLYESTER POWDER COATED FINISH REF ?	C4244	100
Glass 28MM DOUBLE GLAZED UNITS COMPRISING 6MM BLUE TINT TOUGHENED OUTER WITH ACTIVE COATING, 16MM CAVITY, 6MM CLEAR LOW E TOUGHENED INNER		Centre pane U VALUE = 1.2 W/MK2		Site BARRS COURT SCHOOL BARRS COURT ROAD, HEREFORD, HR1 1EQ		



Drawing title: ROOFLIGHT GLAZING - DETAILS

Glass: 28MM DOUBLE GLAZED UNITS COMPRISING 6MM BLUE TINT TOUGHENED OUTER WITH ACTIVE COATING, 18MM CAVITY, 6MM CLEAR LOW E TOUGHENED INNER  
 Scale: NTS  
 Date: 20/1/2009  
 Customer: SPICERS LTD  
 CENTRE PANE U VALUE = 1.2 W/MK2

Finish: POLYESTER POWDER COATED FINISH  
 REF ?  
 Site: BARRS COURT SCHOOL  
 BARRS COURT ROAD, HEREFORD, HR1 1EQ

Contract No.: CA244  
 Drawing No.: 101

Rev.	Comments	Date

DETAILS by WWD

**H** Howells Patent Glazing  
 Triton Works  
 Woods Lane  
 Cradley Heath  
 West Midlands  
 B64 7AS

**G** Tel :- 01384 820060  
 Fax :- 01384 820061  
 e-mail :- enquires@howellsglazing.co.uk